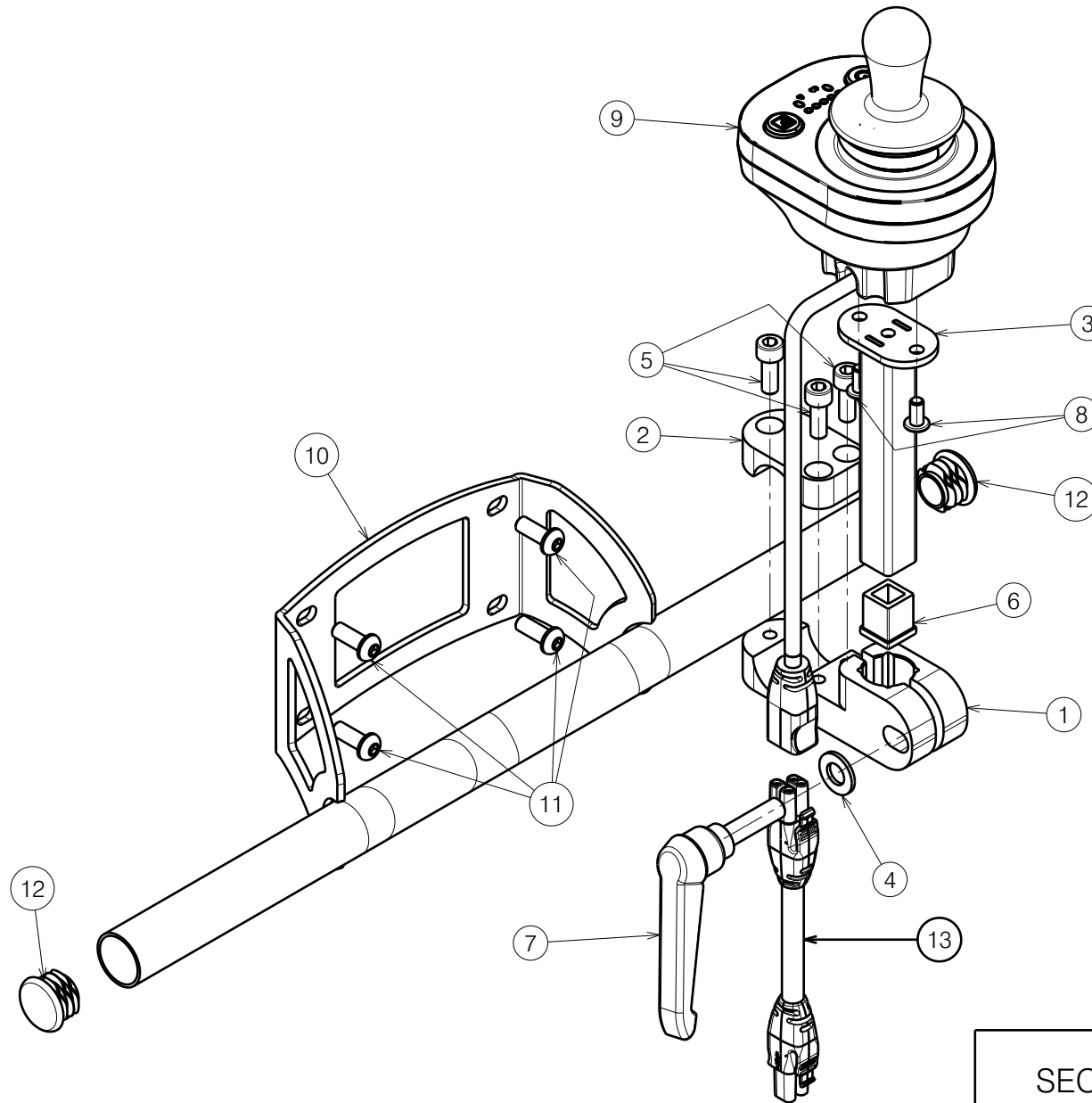


Material			
No.	Plan	Article	Quantity
1	XP01417 (A)	2706799	1
	X005632 (B)	2037299	1
2	XP01418 (A)	2706899	1
	X005633 (B)	2037399	1
3	Y022797	2048554	1
4	X001119	1001554	1
5	M6x16 DIN912	1001492	3
6	---	1005899	1
7	M8x30	1005860	1
8	M5x10 ISO7380	1007063	2
9	SE09 Linx	1914000	1
10*	Y020044	1790254	1
11*	M6x16 ISO7380	1008459	4
12*	D22	1990648	2
13	Linx 1.5 m	1912299	1

* For use on L34 / L14

(A) for tube $\phi 22.2$

(B) for tube $\phi 25.4$



2994119

E001091 / D

SECONDARY CONTROLLER SE09 LINX				Plan No.
				E001091 / D
Scale: 2:5	Drafted	Verified	Confirmed	
Date	24/04/2018	10/02/2022	10/02/2022	
Initials	SD	SD	PJ	