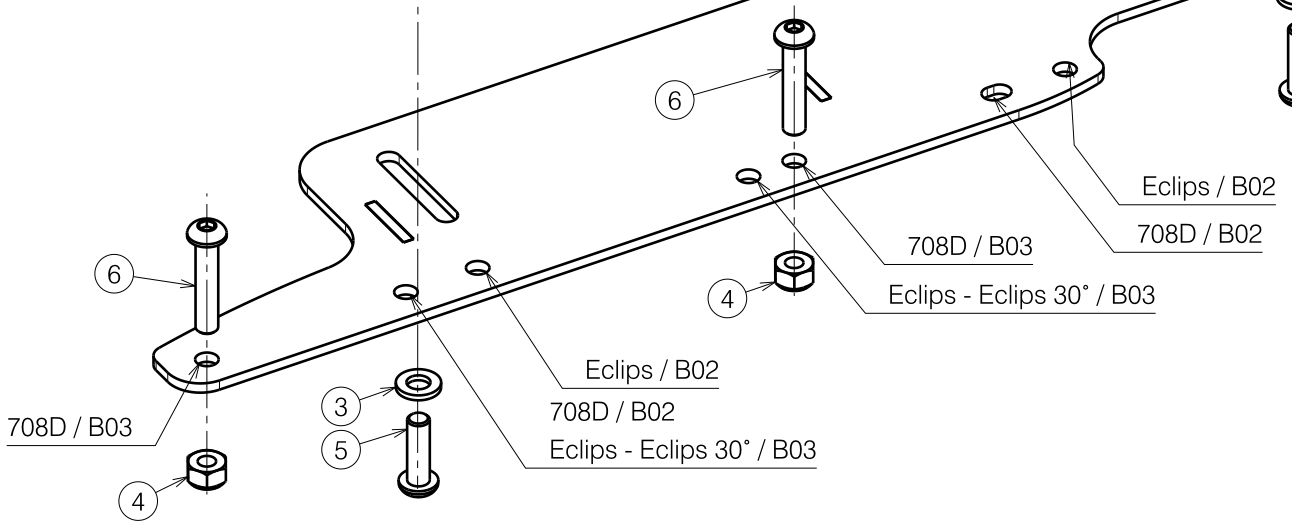


Only left side depicted
 * Only for Eclips 30°



Material / Materiaal			
No. / Nr.	Plan	Article / Artikel	Number / Aantal
1	X003872	1901134	1
2	Y013434	1683004 (L)	1
2	Y013435	1683104 (R)	1
*2	Y021394	2011004 (L)	1
*2	Y021395	2011104 (R)	1
3	---	1000973	2
4	---	1001680	2
5	---	1006999	2
6	---	1009588	2

1901928 (L) / 1901929 (R)

B66 ECLIPS+ / ECLIPS X4 / ECLIPS 30° / 708D (fixed angle / vaste hoek)				Plan No. / Plannr. E000438/B
Scale / Schaal: 1:2	Drafted / Getekend	Verified / Nagezien	Confirmed / Bevestigd	
Date / Datum	11/02/2008	11/03/2015	11/03/2015	
Init. / Init.	SD	TT	PJ	