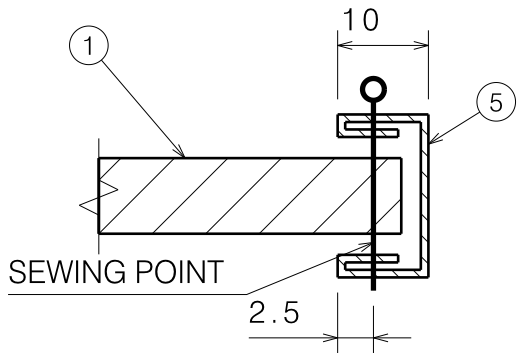
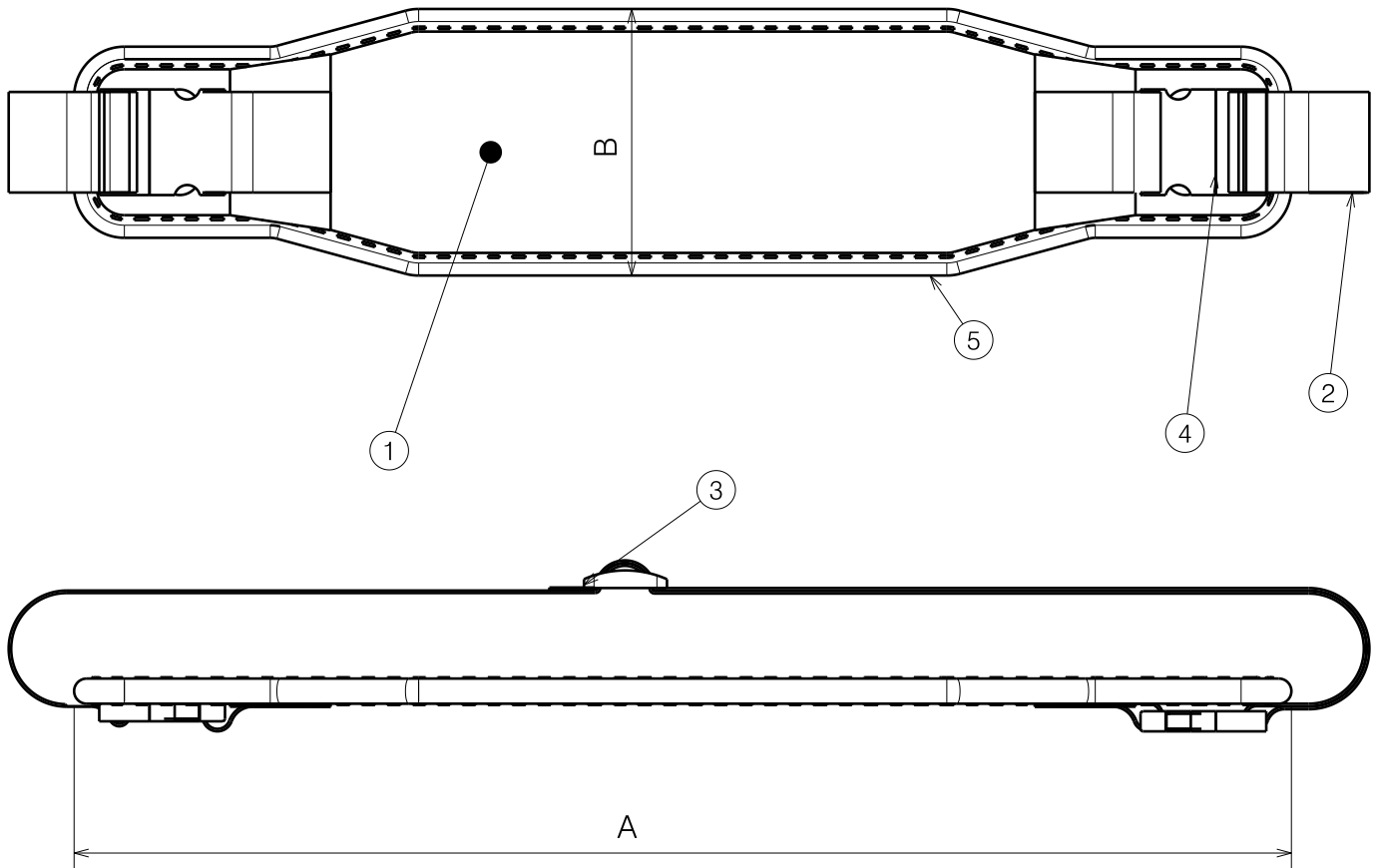



Material						
No.	Article	XS	S	M	L	XL
1	2991014	0,026	0,036	0,053	0,068	0,084
2	1009517	1	1,2	1,4	1	1
3	1009512	1	1	1	1	1
4	1009508	2	2	2	2	2
5	2991886	0,8	1	1,2	1,4	1,6



Sizes [cm]			
	A	B	Article
XS	31,8	7,6	2991269
S	39,7	8,9	2991270
M	47,6	10,3	2991271
L	55,6	11,4	2991272
XL	63,5	12,7	2991273



EP00349 / A1

NEO U80 BREAST BELT				Plan No.
				EP00349/ A1
Scale: N/A	Drafted	Verified	Confirmed	
Date	31/07/2018	31/07/2018	31/07/2018	
Initials	FD	AS	TK	