
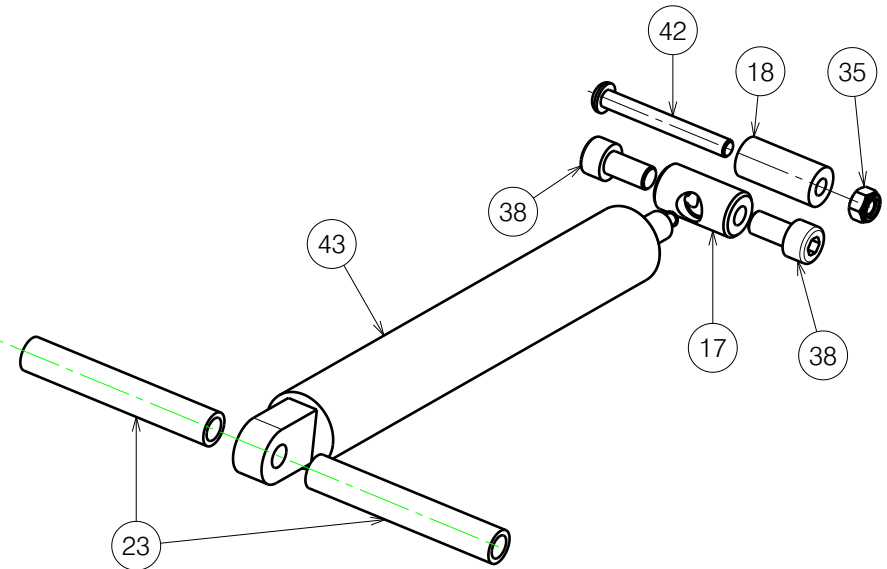
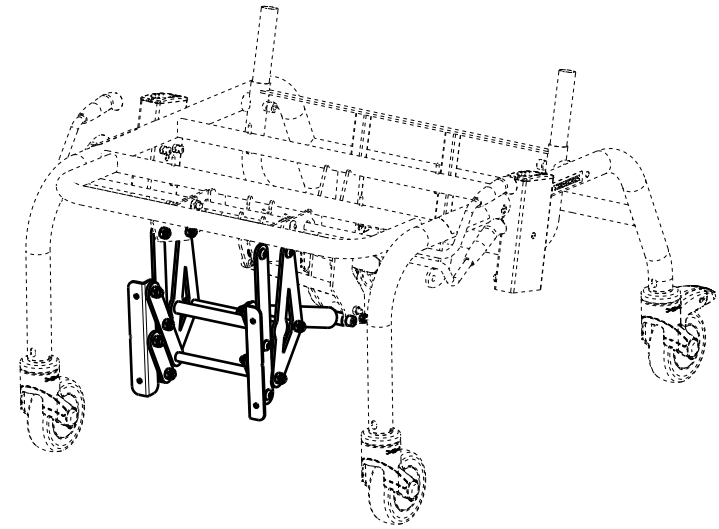
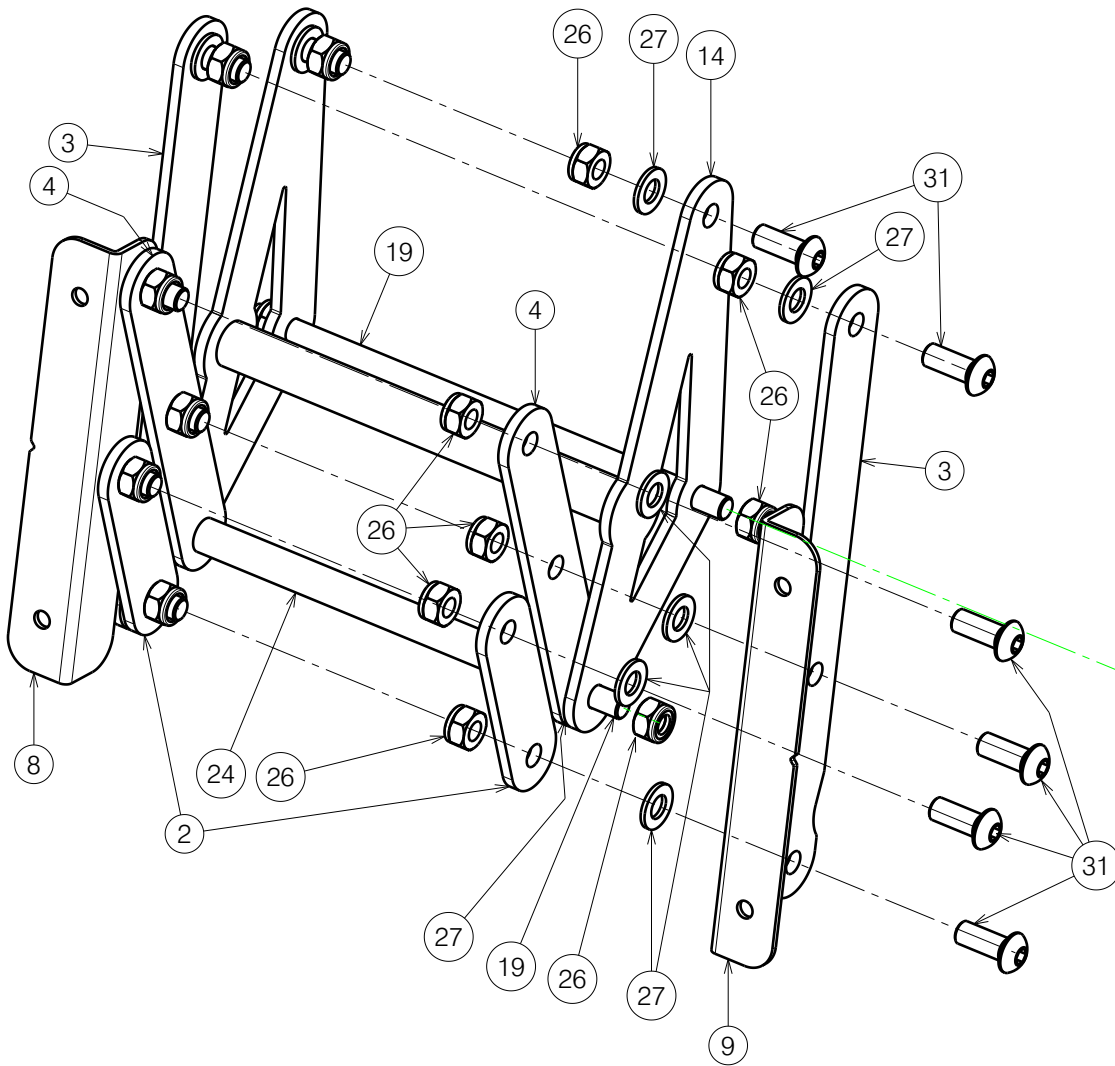


EP00608 / D

LOWER FRAME / NORMANDIE 2020 2F				Plan No.
				1/3 EP00608 / D
Scale: 1:6	Drafted	Verified	Confirmed	
Date	22/09/2021	7/03/2023	7/03/2023	
Initials	AZ	PM	AZ	



EP00608 / D

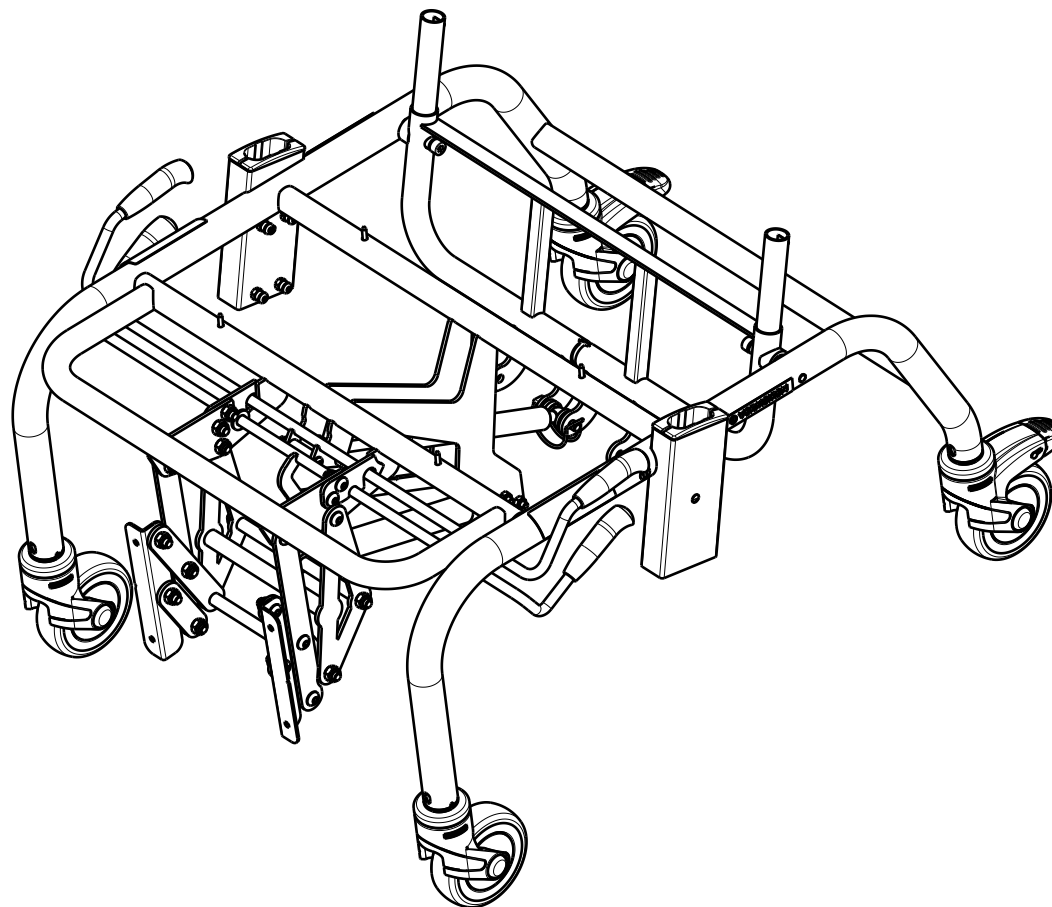
LOWER FRAME / NORMANDIE 2020 2F				Plan No.
				EP00608 / D
Scale: 2:5	Drafted	Verified	Confirmed	
Date	22/09/2021	7/03/2023	7/03/2023	
Initials	AZ	PM	AZ	




Material			
No.	Plan	Article	Quantity
1	Y000462	F000050	2
2	Y018624	1788965	2
3	Y018627	1789765	2
4	Y018629	1788865	2
5	Y019311	1788700	1
6	YP08858 DP	2629865	1
7	YP08901	2629665	1
8	YP09243	2641565	1
9	YP09244	2641665	1
10	YP09246	2641765	2
11	YP09247	2641865	1
12	YP09248	2641965	1
13	YP09253	2642065	1
14	YP09443	2649365	1
15	X000106	G003218	2
16	X000273	G060600	2
17	X000319	G080200	2
18	X001296	G065155	2
19	X001862	1447500	2
20	X002480	1993793	2
21	X004485 (Black)	1903994	4
22	X005930 (Black)	1916350	4
23	XP03385	2646500	2
24	XP03386	2646600	1
25	M6 DIN934	1001670	8
26	X001016	1001682	20
27	D8,4 DIN125	1003199	14
28	Sticker Arrow	1903223	2
29	D100 (Black) No Brake	1917912	2
30	D100 (Black) Brake	1917913	2
31	M8x20	1992349	16
32	Pin D8x45	1993594	1
33	Sticker Levers 2F	T001095	2
34	M10 DIN439B	1903216	1
35	M6 DIN985	1001680	3
36	M5 DIN985	1001679	2
37	M6x12	1007000	8
38	X003825	1001498	4
39	M8x60 DIN912	1997781	2
40	M5x16	1006112	2

Material			
No.	Plan	Article	Quantity
41	Sticker Vermeiren	T001051	2
42	M6x50	1006997	3
43	Gas Spring 125N	1909095	1
44*	D4x40	1005207	4
45	D5,3 DIN125	1000972	2
46	Gas Spring 400N	1917603	1

* - not mounted, delivered separately



EP00608 / D

LOWER FRAME / NORMANDIE 2020 2F				Plan No.
				3/3 EP00608 / D
Scale: 1:7	Drafted	Verified	Confirmed	
Date	22/09/2021	7/03/2023	7/03/2023	
Initials	AZ	PM	AZ	