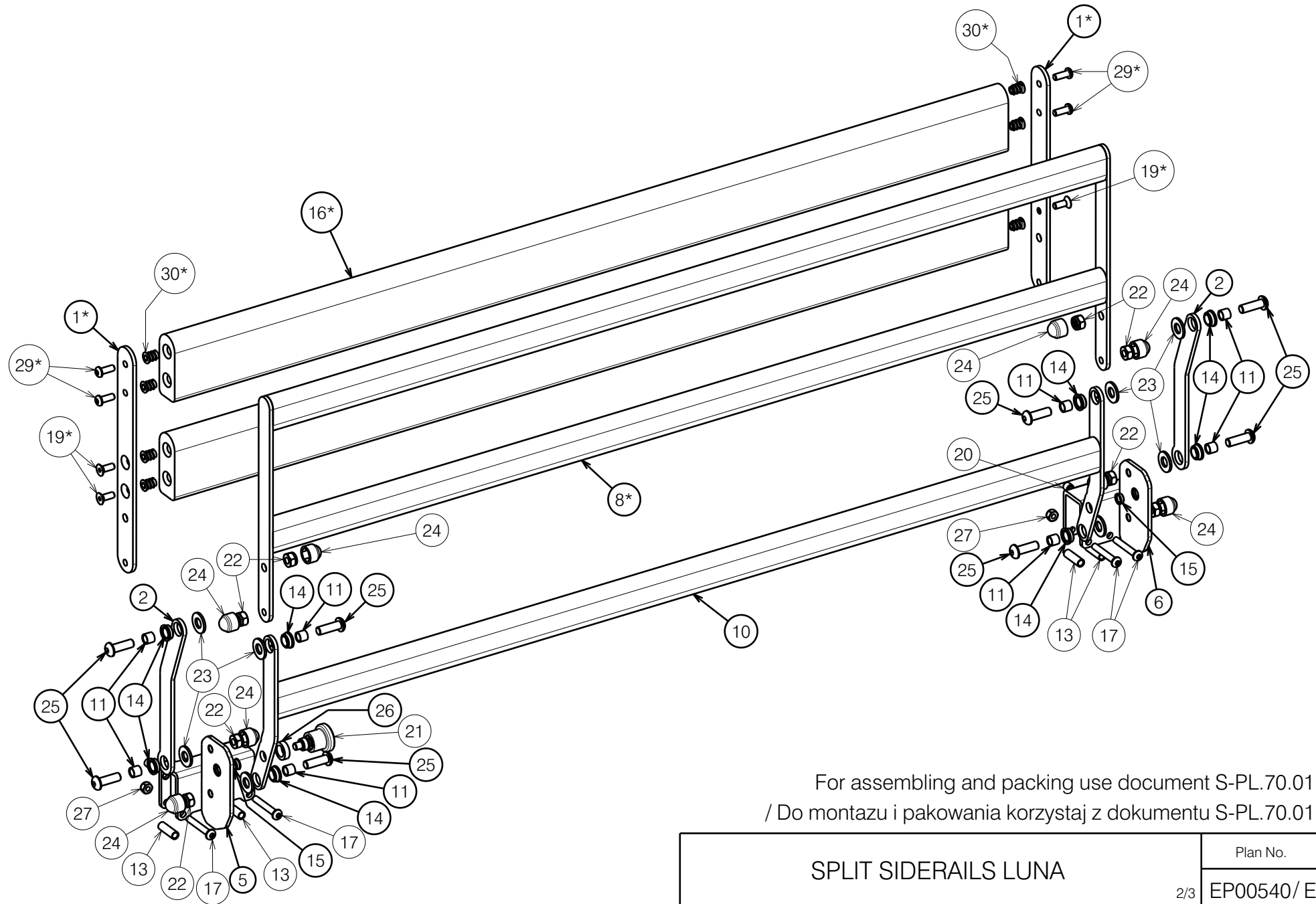


EP00540 / E

\* - depends on option / zaleznie od opcji  
 Right headside depicted / Na ilustracji prawa strona zaglowka

<h3>SPLIT SIDERAILS LUNA</h3>				Plan No.
				1/3 EP00540/ E
Scale: 1:5	Drafted	Verified	Confirmed	
Date	08/10/2020	07/06/2021	07/06/2021	
Initials	DR	AZ	TK	



For assembling and packing use document S-PL.70.01  
 / Do montazu i pakowania korzystaj z dokumentu S-PL.70.01


EP00540 / E

\* - depends on option / zależnie od opcji  
 Right footside depicted / Na ilustracji prawa strona podnozka

<b>SPLIT SIDERAILS LUNA</b>				Plan No.
				2/3 EP00540/ E
Scale: 1:5	Drafted	Verified	Confirmed	
Date	08/10/2020	07/06/2021	07/06/2021	
Initials	DR	AZ	TK	

Material			
No.	Plan	Article	Quantity
1*	YP08012	2606837	8
2	YP07990	2603837	8
3	YP08626	2623337 (L)	1
	YP08627	2623437 (R)	1
4	YP08015	2604137 (L)	1
	YP08016	2604237 (R)	1
5	YP08017	2604337 (L)	1
	YP08018	2604437 (R)	1
6	YP08628	2623537 (L)	1
	YP08629	2623637 (R)	1
7*	YP08630	2623737	2
8*	YP08631	2623837	2
9	YP08632	2623937	2
10	YP08633	2624037	2
11	XP03050	GP23100	32
12*	XP03134	HP00680	4
13	XP03116	GP24700	14
14	XP02893	2994748	32
15	XP02894	GP21800	8
16*	XP03135	HP00681	4
17	M6x40	1006111	14
18	-	-	-
19*	M6x16 DIN7991	1994752	16
20	M8x8 DIN916	2996665	8
21	Blocker pin M12	2994540	4
22	Nut M8 Selflocking	1001682	32
23	Washer M10 PVC	1001557	32
24	Nut cap M8 grey	2994898	32
25	M8x25	1990501	32
26	XP03232	GP26300	4
27	Nut M6 Selflocking	1001680	14
28**	XP03129 box	U000430	1
29*	M6x16	1008459	16
30*	Insert M6x13	2995002	32

For assembling and packing use document S-PL.70.01  
/ Do montazu i pakowania korzystaj z dokumentu S-PL.70.01

SPLIT SIDERAILS LUNA				Plan No.
				3/3 EP00540/ E
Scale: 1:5	Drafted	Verified	Confirmed	
Date	08/10/2020	07/06/2021	07/06/2021	
Initials	DR	AZ	TK	

EP00540 / E

\* - depends on option / zaleznie od opcji

\*\* - not depicted / nie ujeta