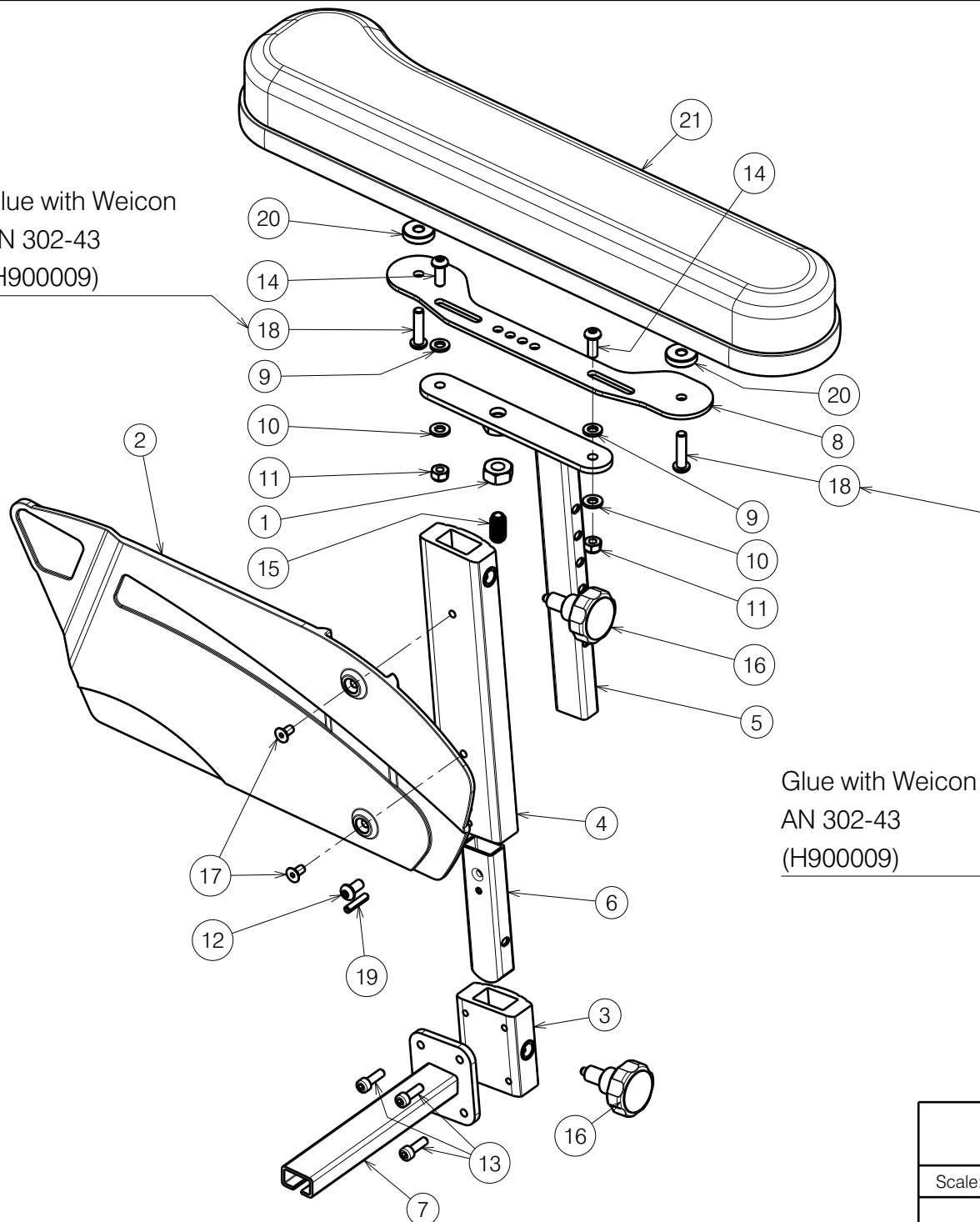


Glue with Weicon
AN 302-43
(H900009)



Glue with Weicon
AN 302-43
(H900009)

Material			
No.	Plan	Article	Quantity
1	M10 DIN934	1001672	2
2	X003347	1900204 (L)	1
	X003348	1900205 (R)	1
3	X004812	2051654	2
4	X004813	2051754 (L)	1
	X004814	2051854 (R)	1
5	Y008789	1659301	2
6	Y011205	1657901	2
7	Y011207	1658000 (L)	1
	Y011750	1662500 (R)	1
8	Y011751	1662654	2
9	M6 PVC DIN125A	1000973	4
10	M6 DIN125A	1001564	4
11	M6 DIN985	1001680	4
12	M6x12 Black	3992768	2
13	M5x16 DIN912 Black	1915415	8
14	M6x16	1008459	4
15	M10x19	1991432	2
16	∅35 M10x1	1996819	4
17	M5x10 DIN7991/8.8	1999977	4
18	M6x25 Black	2994062	4
19	∅4x20 DIN1481	1009584	2
20	XP00227	2990147	4
21	Armrest L Black	2995547 (L)	1
	Armrest R Black	2995548 (R)	1

Only left side depicted / Quantity for 1 pair

INOVYS 2 EVO B05 ARMREST				-
				Plan No. E00036770/A.1
Scale: 1:1	Drafted	Verified	Confirmed	
Date	22/06/2022	22/06/2022	22/06/2022	
Initials	DR	MK	AZ	