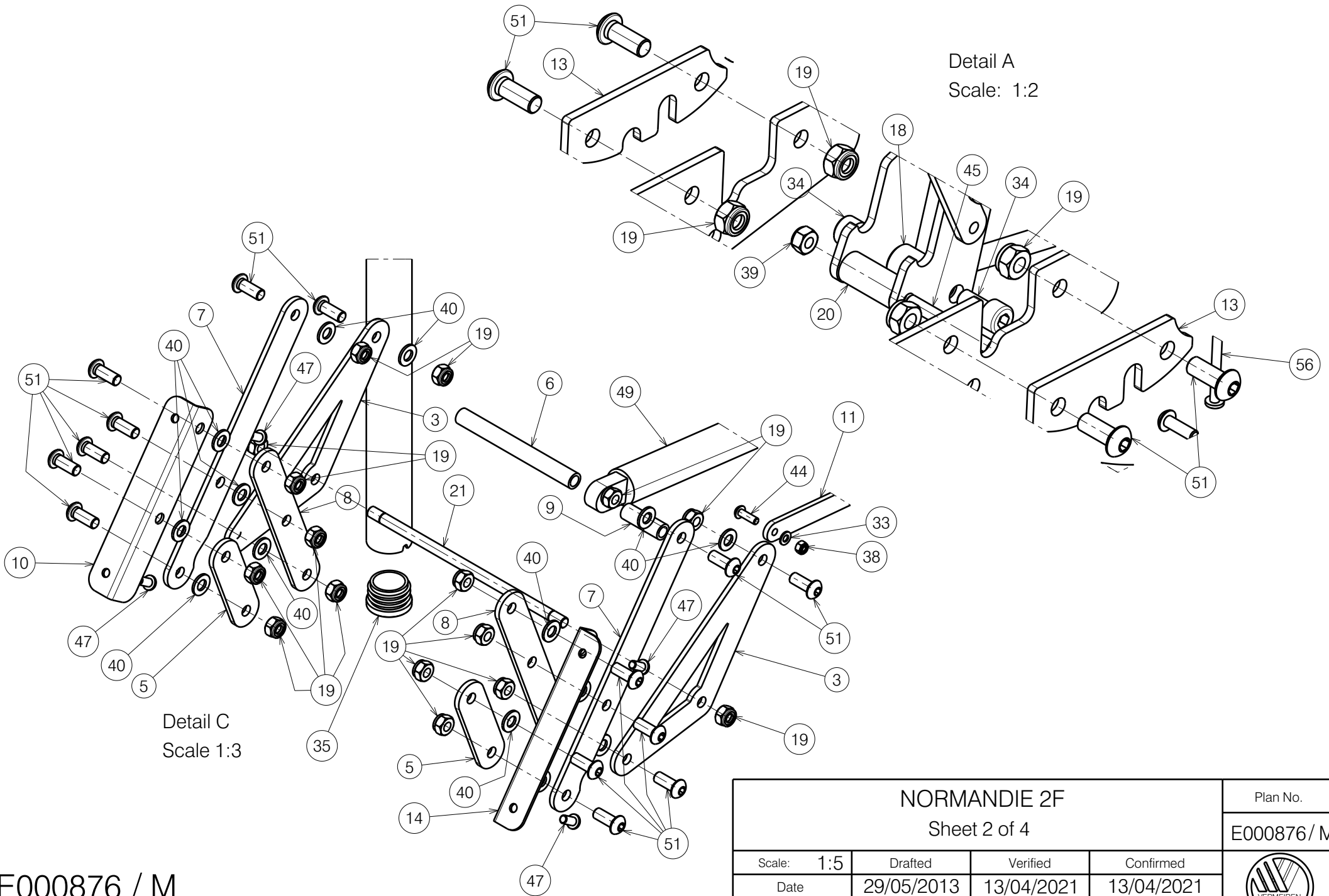


E000876 / M

<h3>NORMANDIE 2F</h3> <p>Sheet 1 of 5</p>				Plan No. E000876 / M
Scale:	1:5	Drafted	Verified	Confirmed
Date	29/05/2013	13/04/2021	13/04/2021	13/04/2021
Initials	JG	SD	PJ	




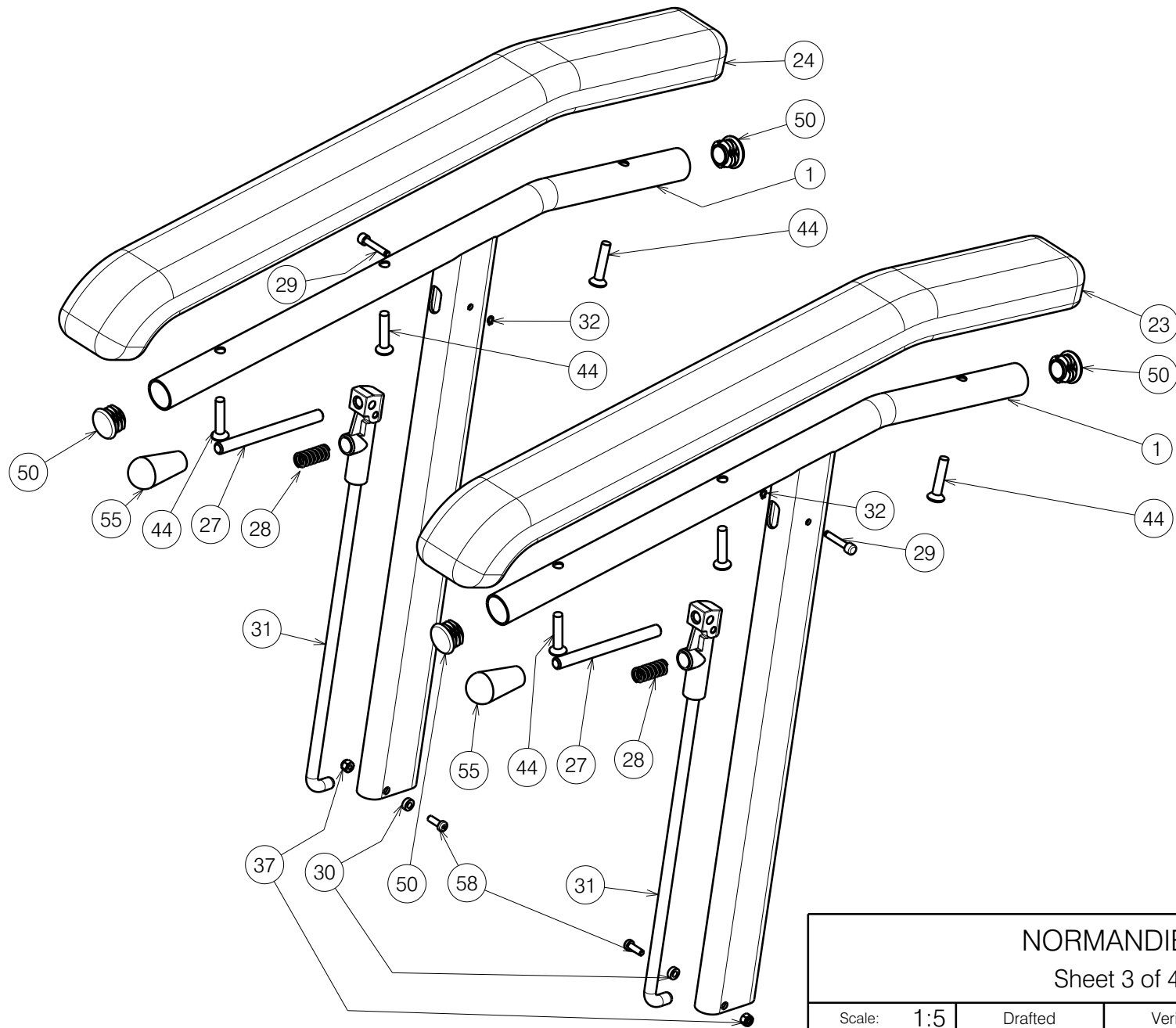


Detail A
Scale: 1:2


Detail C
Scale 1:3

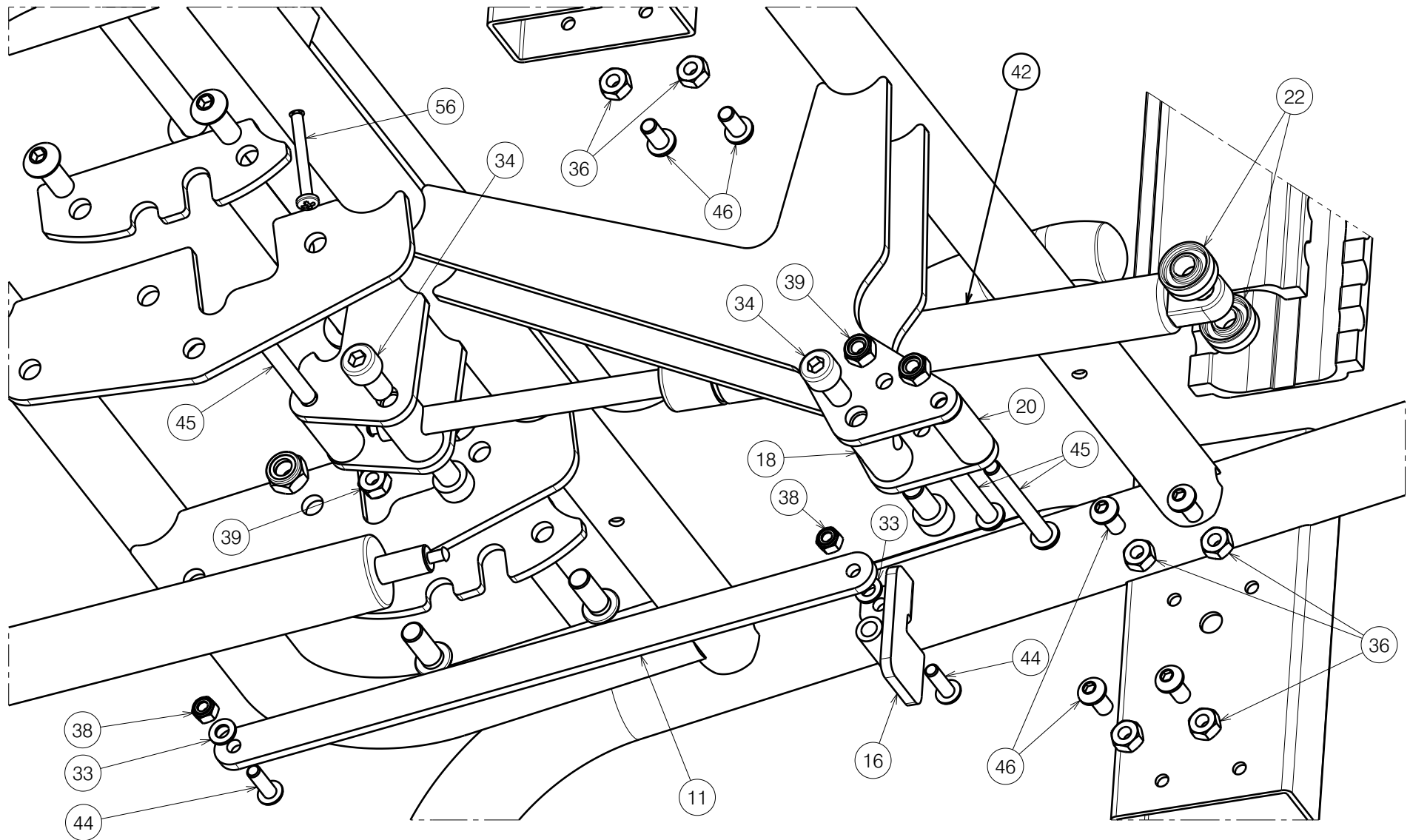
E000876 / M

NORMANDIE 2F Sheet 2 of 4				Plan No. E000876 / M
Scale: 1:5	Drafted	Verified	Confirmed	
Date	29/05/2013	13/04/2021	13/04/2021	
Initials	JG	SD	PJ	




E000876 / M

NORMANDIE 2F Sheet 3 of 4				Plan No. E000876 / M
Scale: 1:5	Drafted	Verified	Confirmed	
Date	29/05/2013	13/04/2021	13/04/2021	
Initials	JG	SD	PJ	



E000876 / M

NORMANDIE 2F Sheet 4 of 5				Plan No. E000876 / M
Scale: 1:5	Drafted	Verified	Confirmed	
Date	29/05/2013	13/04/2021	13/04/2021	
Initials	JG	SD	PJ	


Bill of material

No.	Plan	Article	Quantity	No.	Plan	Article	Quantity
1	Y015294	1714801	2	31	XP00208	2990139	2
3	Y018451	1789082	2	32	XP00297	2990125	2
4	Y018622	1788482	1	33	M5 DIN125	1000972	2
5	Y018624	1788982	2	34	M18x16 DIN912/8.8	1001498	4
6	X005151	1788200	1	35	---	1001610	8
7	Y018627	1789782	2	36	M6 DIN934	1001670	8
8	Y018629	1788882	2	37	M4 DIN985	1001678	2
9	X005150	1788100	1	38	M5 DIN985	1001679	2
10	Y018755	1789382	1	39	M6 DIN985	1001680	3
11	Y018991	1789182	1	40	M8 DIN125	1003199	14
12	Y018992	1788500	1	41	---	1003277	2
13	Y019191	1789482	2	42	400 N	1917603	1
14	Y019247	1789282	1	43	M6x40	1006111	2
15	Y019309	1788600	1	44	M5x16	1006112	2
16	Y019311	1788700	1	45	M6x50	1006997	3
17	YP00652	1823982	1	46	M6x12	1007000	12
18	X000319	G080200	2	47	M6x30 DIN966/4.8	1007954	8
19	X001016	1001682	20	48	X004485	1903994	2
20	X001296	G065155	2	49	---	1909095	1
21	X001862	1447500	1	50	---	1990648	2
22	X002480	1993793	2	51	M8x20	1992349	18
23	XP00177	2990116	1	52	Ø8x45	1993594	1
24	XP00178	2990117	1	53	M8x60 DIN912/8.8	1997781	2
25	X004586	1904800	4	54	---	T001095	2
26	X004587	1904801	2	55	---	1998407	2
27	XP00176	1824100	2	56*	Ø4x40	1005207	2
28	XC00423	3991837	2	57**	M6x35 DIN966/4.8	1003903	4
29	XP00180	1824500	2	58	M4x12 DIN7985H	1900952	2
30	XP00192	1826100	2	59	M6 DIN125	1001564	4

* Not mounted, delivered separately

** Not depicted

E000876 / M

NORMANDIE 2F				Plan No.
Sheet 5 of 5				E000876 / M
Scale: 1:5	Drafted	Verified	Confirmed	
Date	29/05/2013	13/04/2021	13/04/2021	
Initials	JG	SD	PJ	