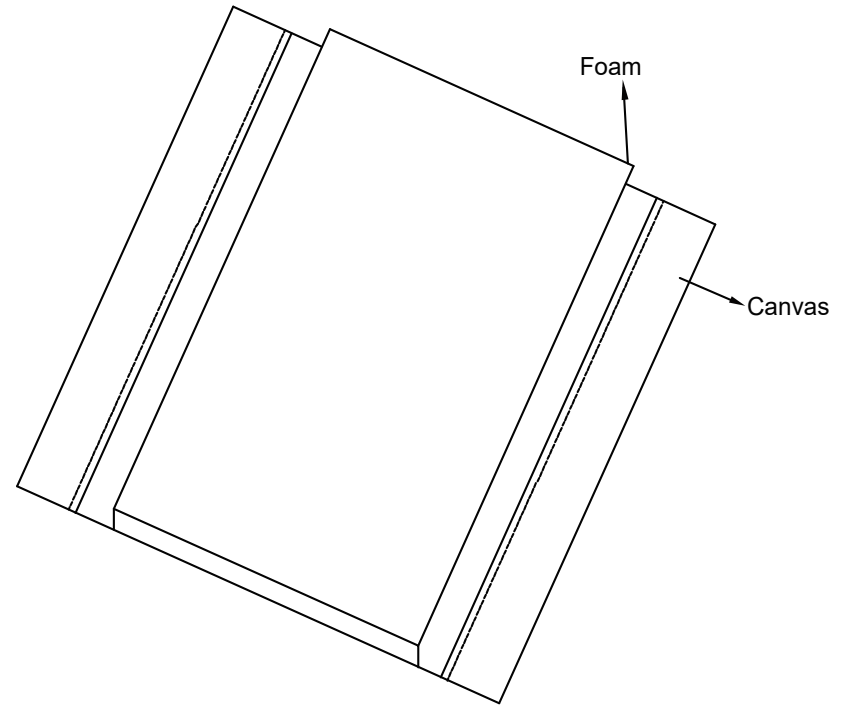


Type	Product Article	Name	Article	Number	Unit
39#	3993650	Sponge	1998830	1	ST
		Nylon	1008943	0.361	M
		Canvas	1998716	0.14	LM
		Tapping Screw	1001534	2	ST
		Washer black	1002994	2	ST
42#	3993651	Sponge	1998832	1	ST
		Nylon	1008943	0.38	M
		Canvas	1998716	0.148	LM
		Tapping Screw	1001534	2	ST
		Washer black	1002994	2	ST
44#	3993652	Sponge	1998833	1	ST
		Nylon	1008943	0.392	M
		Canvas	1998716	0.154	LM
		Tapping Screw	1001534	2	ST
		Washer black	1002994	2	ST
46#	3993653	Sponge	1998835	1	ST
		Nylon	1008943	0.404	M
		Canvas	1998716	0.159	LM
		Tapping Screw	1001534	2	ST
		Washer black	1002994	2	ST
48#	3993654	Sponge	1998837	1	ST
		Nylon	1008943	0.419	M
		Canvas	1998716	0.165	LM
		Tapping Screw	1001534	2	ST
		Washer black	1002994	2	ST
50#	3993655	Sponge	Required	1	ST
		Nylon	1008943	0.429	M
		Canvas	1998716	0.17	LM
		Tapping Screw	1001534	2	ST
		Washer black	1002994	2	ST



3991970

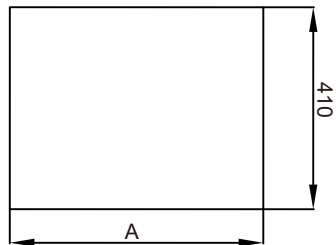
EC00312/C

**BACK REST JAZZ S50**

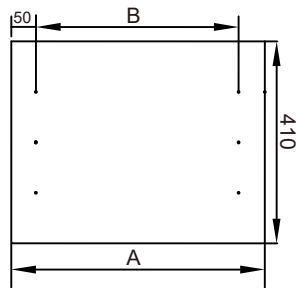
Plan No.  
EC00312/C

3									
2						Scale:1:4	Drafted	Verified	Confirmed
1	David	New version of Jazz S50 back rest	14/06/2022	Puff	Date	14/06/2022	14/06/2022	14/06/2022	14/06/2022
No.	Requested by		Date	Init.	Init.	Puff	Puff	Puff	JJQ

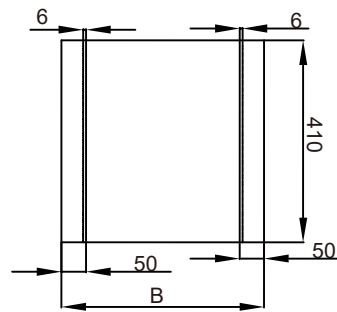




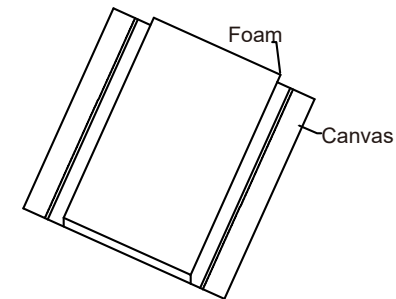
Cutting the shape of canvas



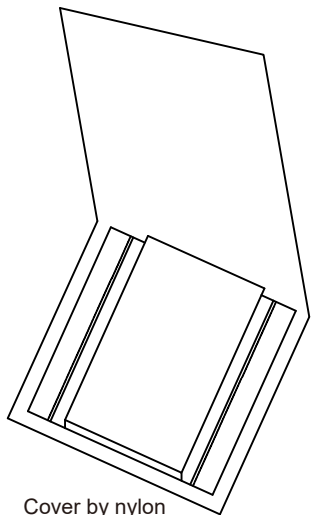
Drilling holes



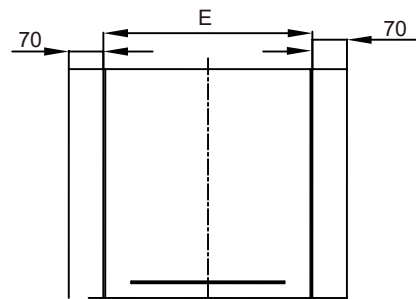
Stitching



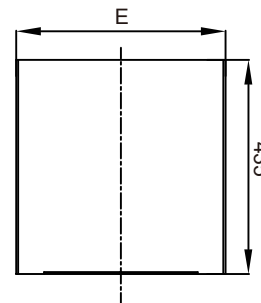
Glue foam and canvas



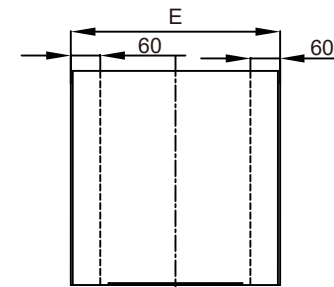
Cover by nylon



High frequency welding

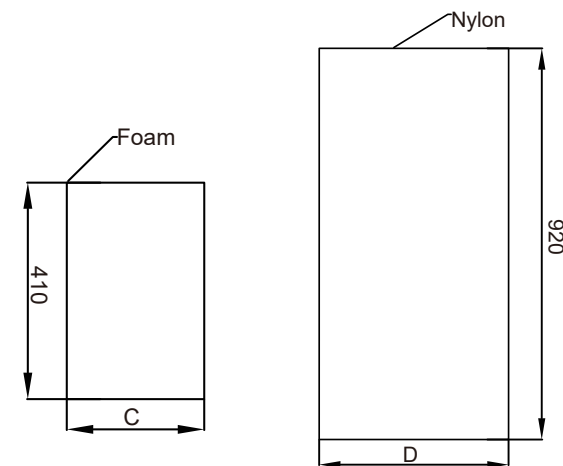


Cut off excess part along the weld line



stitching

Type	39#	42#	44#	46#	48#	50#
A	515	545	565	585	605	625
B	412	440	460	480	500	520
C	260	310	330	350	370	390
D	585	615	635	655	675	695
E	425	452	472	492	512	532



3991970

EC00312/C

BACK REST JAZZ S50

Plan No.

EC00312/C

3				
2				
1	David	New version of Jazz S50 back rest	14/06/2022	Puff
No.	Requested by		Date	Init.

STEP 2/2			
Scale:1:4	Drafted	Verified	Confirmed
Date	14/06/2022	14/06/2022	14/06/2022
Init.	Puff	Puff	JJQ

