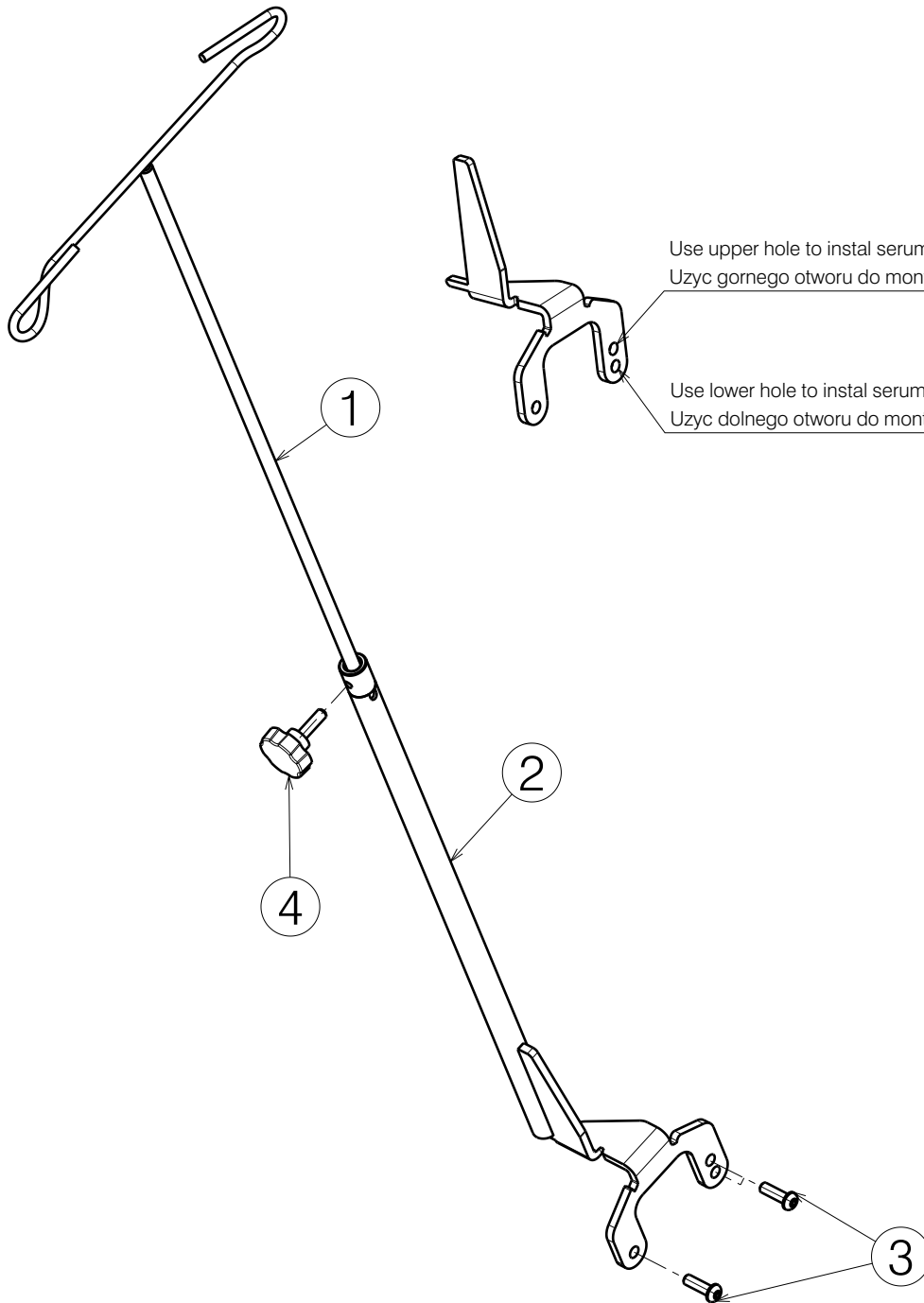
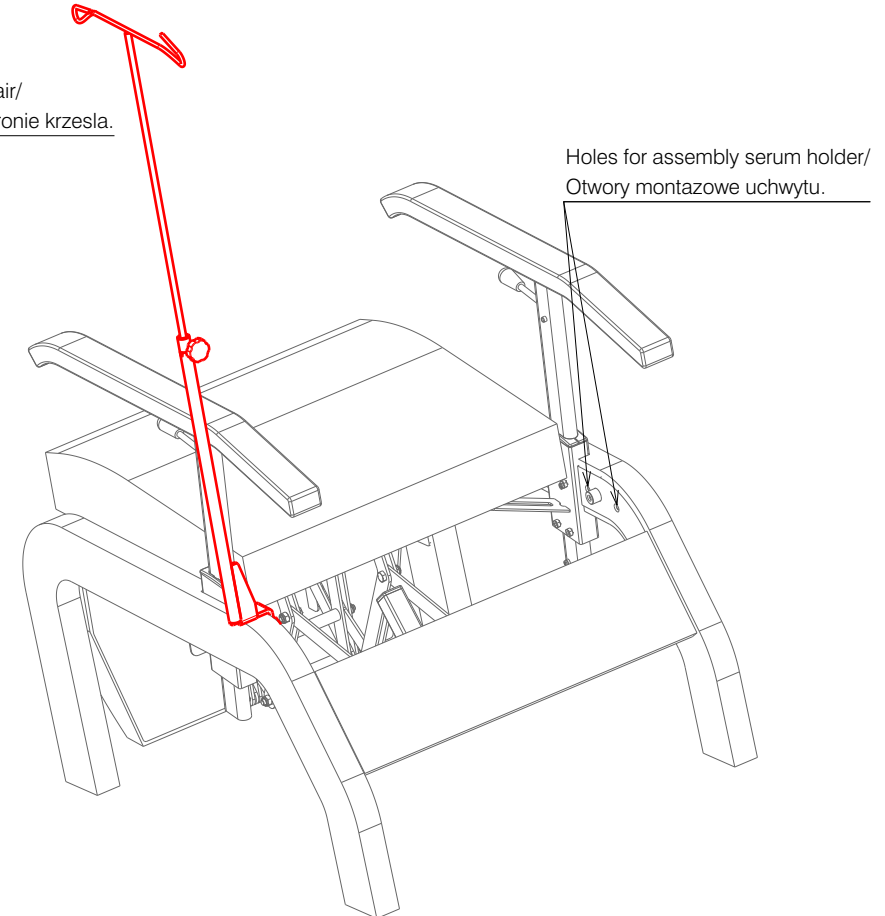


Material			
No.	Plan	Article	Quantity
1	Y022180	2036601	1
2	YP07922 (Relax)	2611513	1
	YP07922 (Bretange)	2611565	1
3	M6x20	1006999	2
4	StarKnob M6x20	1001579	1



Use upper hole to instal serum holder on left side of chair/
Uzyc gornego otworu do montazu uchwyty po lewej stronie krzesla.

Use lower hole to instal serum holder on right side of chair/
Uzyc dolnego otworu do montazu uchwyty po prawej stronie krzesla.



EP00514 / A

SERUM HOLDER KIT / BRETANGE / RELAX WITH WOODEN SIDES				Plan No.
				EP00514 / A
Scale: 1:4	Drafted	Verified	Confirmed	
Date	03/04/2020	03/04/2020	03/04/2020	
Initials	AZ	AZ	TK	