

Material			
No.	Plan	Article	Quantity
1	X001016	1001682	1
2	X003698	1004550	2
3	X005302	1797000	2
4	Y020141	1797154	1
5	M6 DIN 985	1001680	2
6	---	1004109	1
7	M6x40 DIN7984/8.8	1006850	2
8	---	1910003	1
9	4.8x19	1001534	2
10	---	1003279	0.7m
11	M7	1900008	1
12	---	1992149	0.8m
13	M8x30	1992717	1
14	---	1994748	1
15	---	1994749	1
16	---	1994750	1
17	---	1996806	1
18	---	W620150	0.010
19	---	W620151	1
20	Ø8x45	1993594	1

Sheet 1/2

2992143

SE36 GAS SPRING BACK FRAME INCLINATION  
TIMIX/FOREST3/SIGMA

Plan No.

E000903 / E

Scale: 1:4

Drafted

Verified

Confirmed

Date

16/12/2013

19/10/2021

19/10/2021

Initials

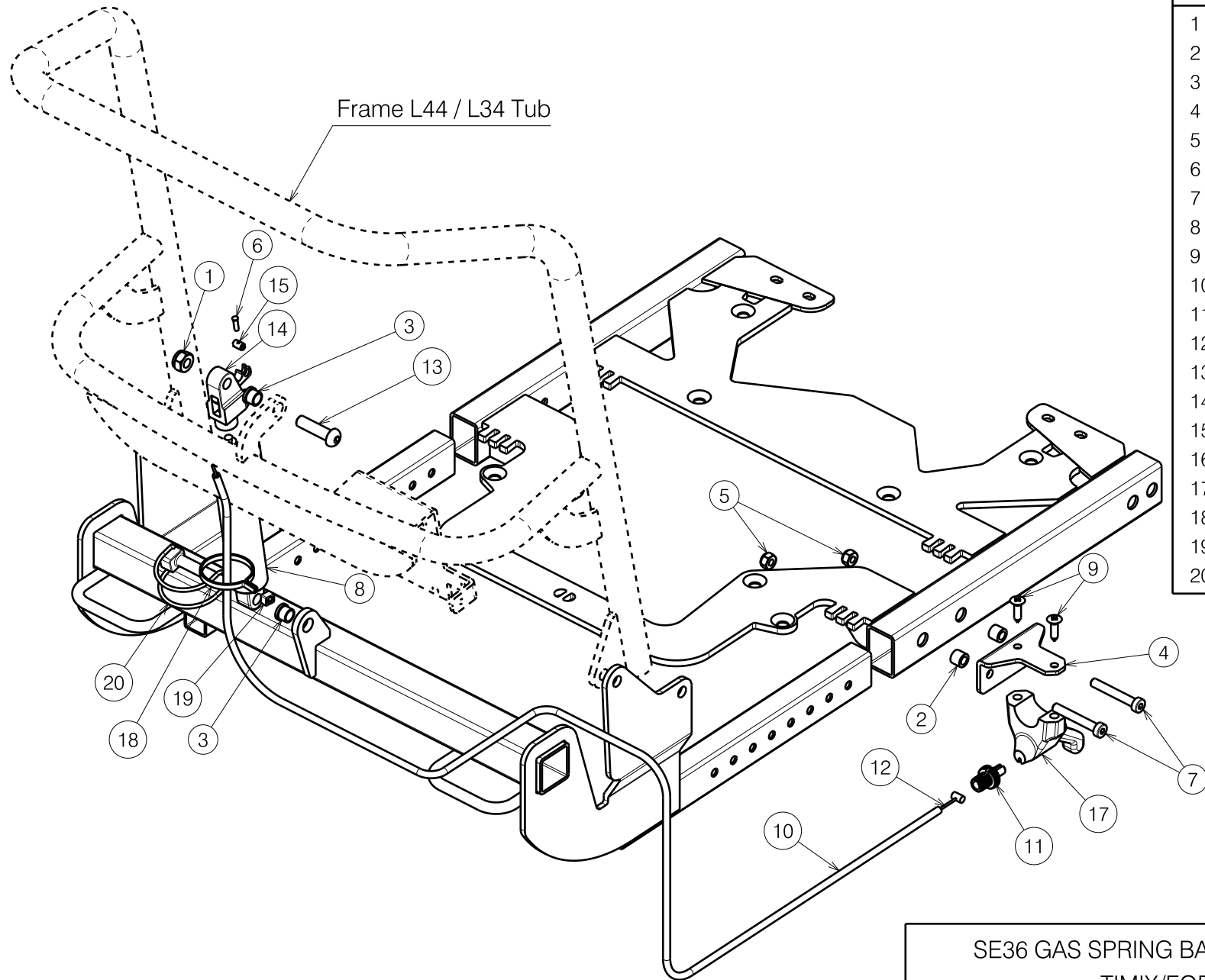
TT

SD

PJ



E000903 / E



Material			
No.	Plan	Article	Quantity
1	X001016	1001682	1
2	X003698	1004550	2
3	X005302	1797000	2
4	Y020141	1797154	1
5	M6 DIN 985	1001680	2
6	---	1004109	1
7	M6x40 DIN7984/8.8	1006850	2
8	---	1910003	1
9	4.8x19	1001534	2
10	---	1003279	0.7m
11	M7	1900008	1
12	---	1992149	0.8m
13	M8x30	1992717	1
14	---	1994748	1
15	---	1994749	1
16	---	1994750	1
17	---	1996806	1
18	---	W620150	0.010
19	---	W620151	1
20	Ø8x45	1993594	1

2992143

Sheet 2/2

SE36 GAS SPRING BACK FRAME INCLINATION TIMIX/FOREST3/SIGMA				Plan No. E000903 / E
Scale: 1:4	Drafted	Verified	Confirmed	
Date	16/12/2013	19/10/2021	19/10/2021	
Initials	TT	SD	PJ	

E000903 / E