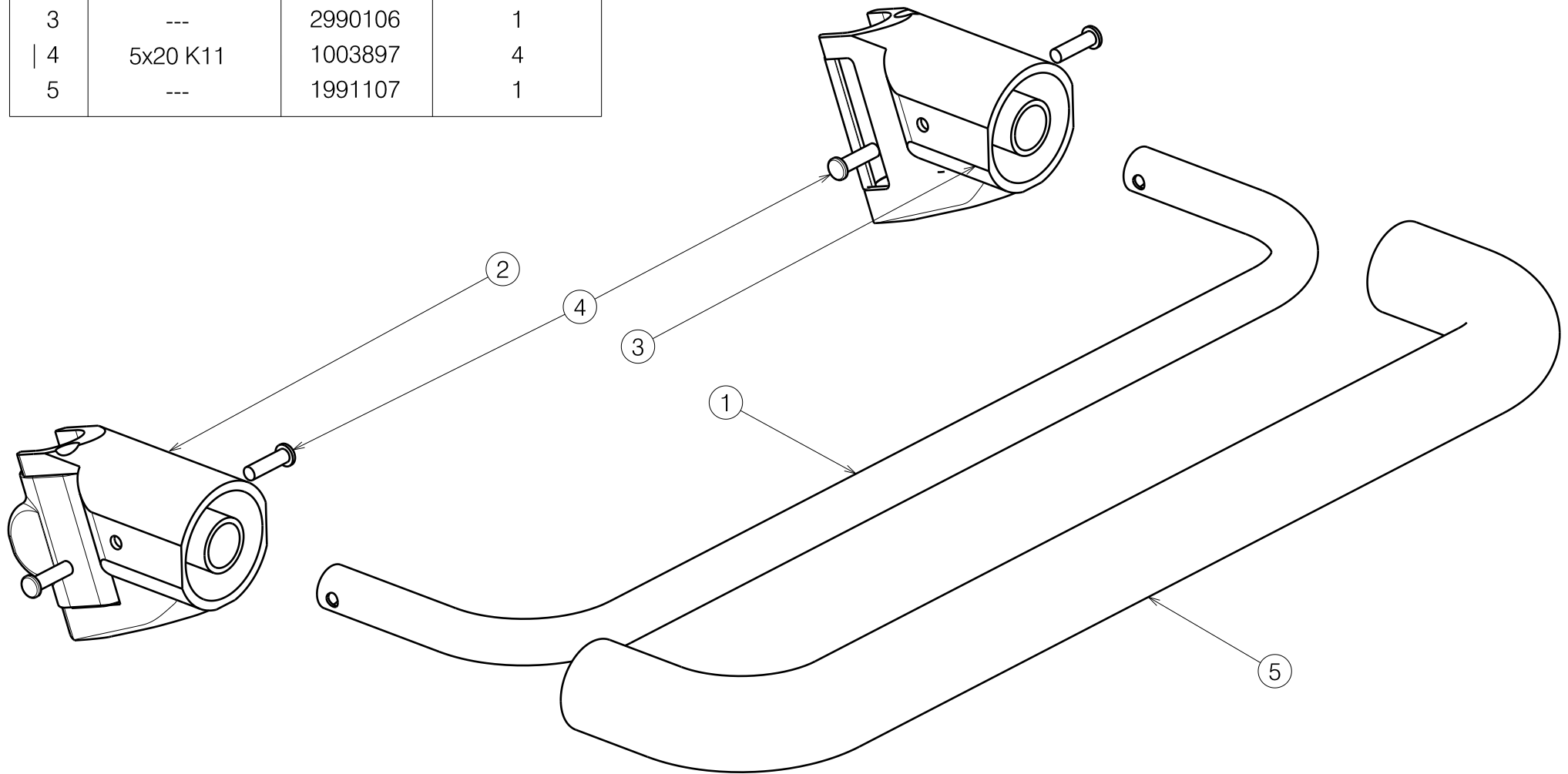


Material			
No. / Nr.	Plan / Rysunek	Article / Artykul	Number / Iloscl
1	YP00922	1837054	1
2	---	2990107	1
3	---	2990106	1
4	5x20 K11	1003897	4
5	---	1991107	1



E000298/B

BARRIER GEMINI 40				Plan No. / Plannr.
				E000298/B
Scale / Schaal: 1:2	Drafted / Getekend	Verified / Nagezien	Confirmed / Bevestigd	
Date / Datum	13/06/2006	09/07/2014	09/07/2014	
Init. / Init.	BS	MK	TK	