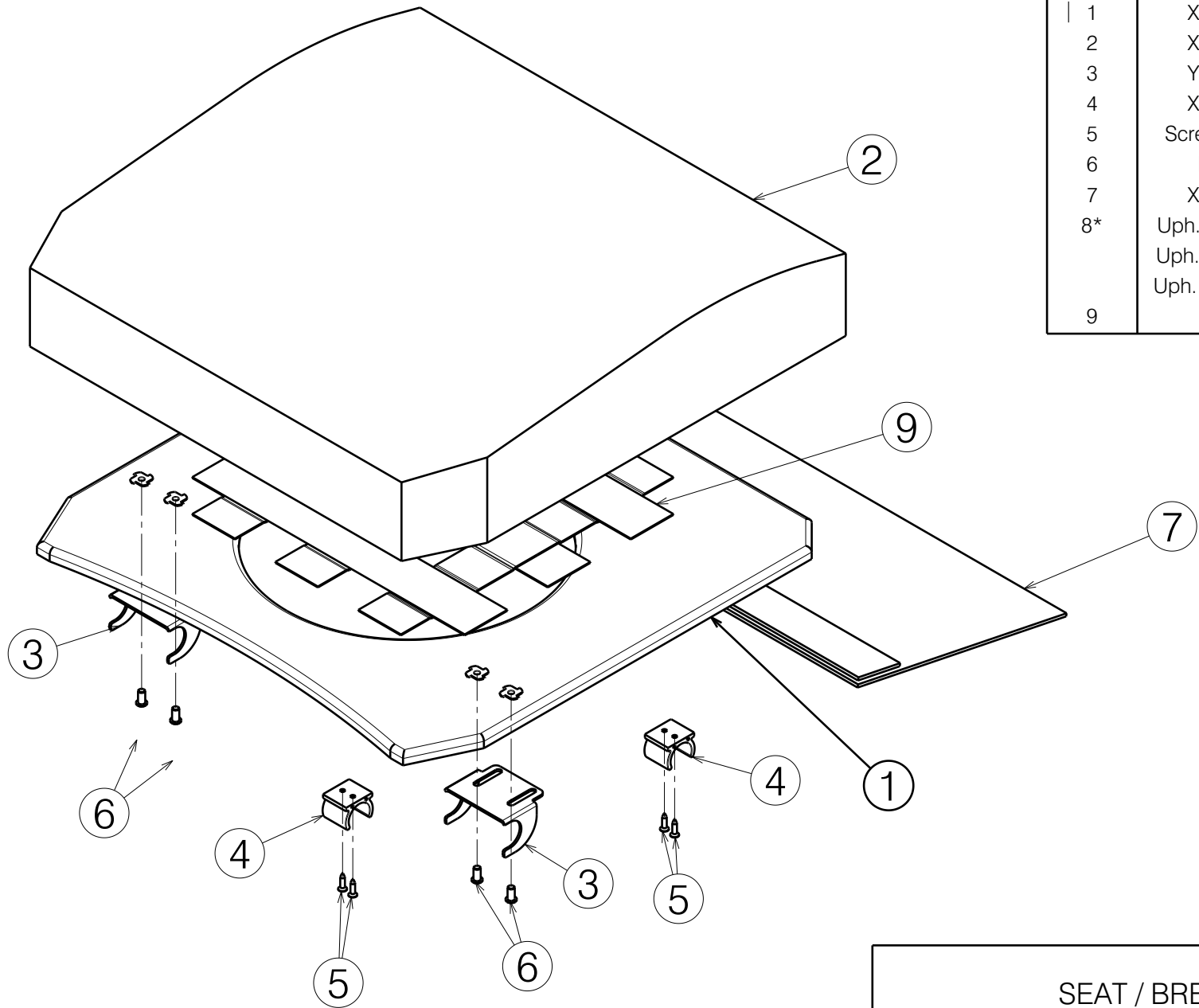


| Material / Method 1 | | | |
|---------------------|-----------------|---------|----------|
| No. | Plan | Article | Quantity |
| 1 | XP01825 | HP00264 | 1 |
| 2 | XP01826 | 2993542 | 1 |
| 3 | YP07227 | 2760665 | 2 |
| 4 | XP00106 | 2990072 | 2 |
| 5 | Screw 3,9x1,6 | 1005767 | 4 |
| 6 | M6x16 | 1007000 | 4 |
| 7 | XP02339 | 2996481 | 1 |
| 8* | Uph. seat black | 2994672 | 1 |
| | Uph. seat beige | 2994673 | 1 |
| | Uph. seat brown | 2994674 | 1 |
| 9 | --- | 1998461 | 1,6[m] |



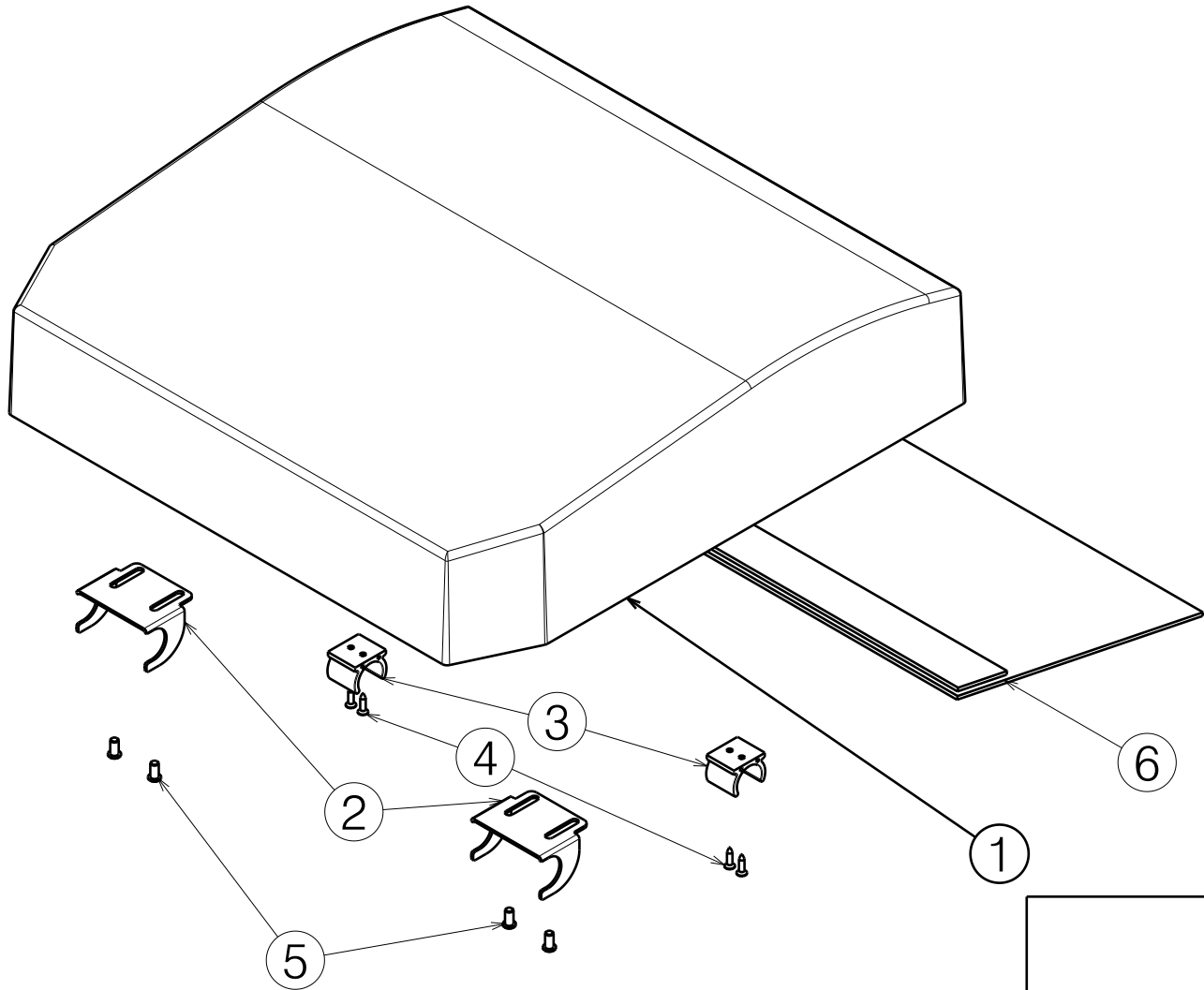
1/2

*not depicted

EP00464 / F

| | | | | |
|-----------------|------------|------------|------------|---|
| SEAT / BRETAGNE | | | | Plan No. |
| | | | | EP00464 / F |
| Scale: 1:5 | Drafted | Verified | Confirmed |  |
| Date | 23/10/2019 | 08/08/2023 | 08/08/2023 | |
| Initials | PM | AZ | TK | |

| Material / Method 2 | | | |
|---------------------|-----------------|---------|----------|
| No. | Plan | Article | Quantity |
| 1 | XP03182 | 2996806 | 1 |
| 2 | YP07227 | 2760665 | 2 |
| 3 | XP00106 | 2990072 | 2 |
| 4 | Screw 3,9x1,6 | 1005767 | 4 |
| 5 | M6x16 | 1007000 | 4 |
| 6 | XP02339 | 2996481 | 1 |
| 7* | Uph. seat black | 2994672 | 1 |
| | Uph. seat beige | 2994673 | 1 |
| | Uph. seat brown | 2994674 | 1 |



2/2

*not depicted

EP00464 / F

| | | | | |
|-----------------|------------|------------|------------|---|
| SEAT / BRETAGNE | | | | Plan No. |
| | | | | EP00464 / F |
| Scale: 1:5 | Drafted | Verified | Confirmed |  |
| Date | 23/10/2019 | 08/08/2023 | 08/08/2023 | |
| Initials | PM | AZ | TK | |