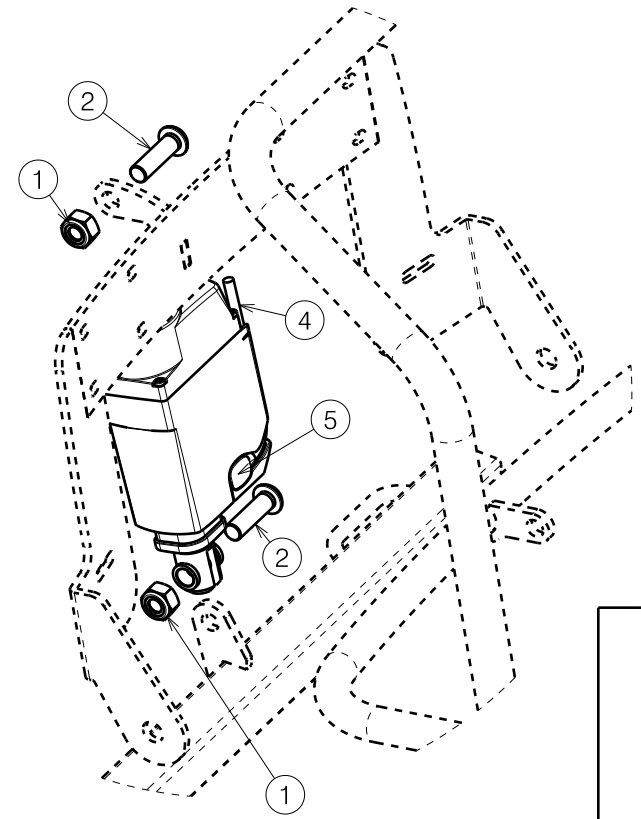
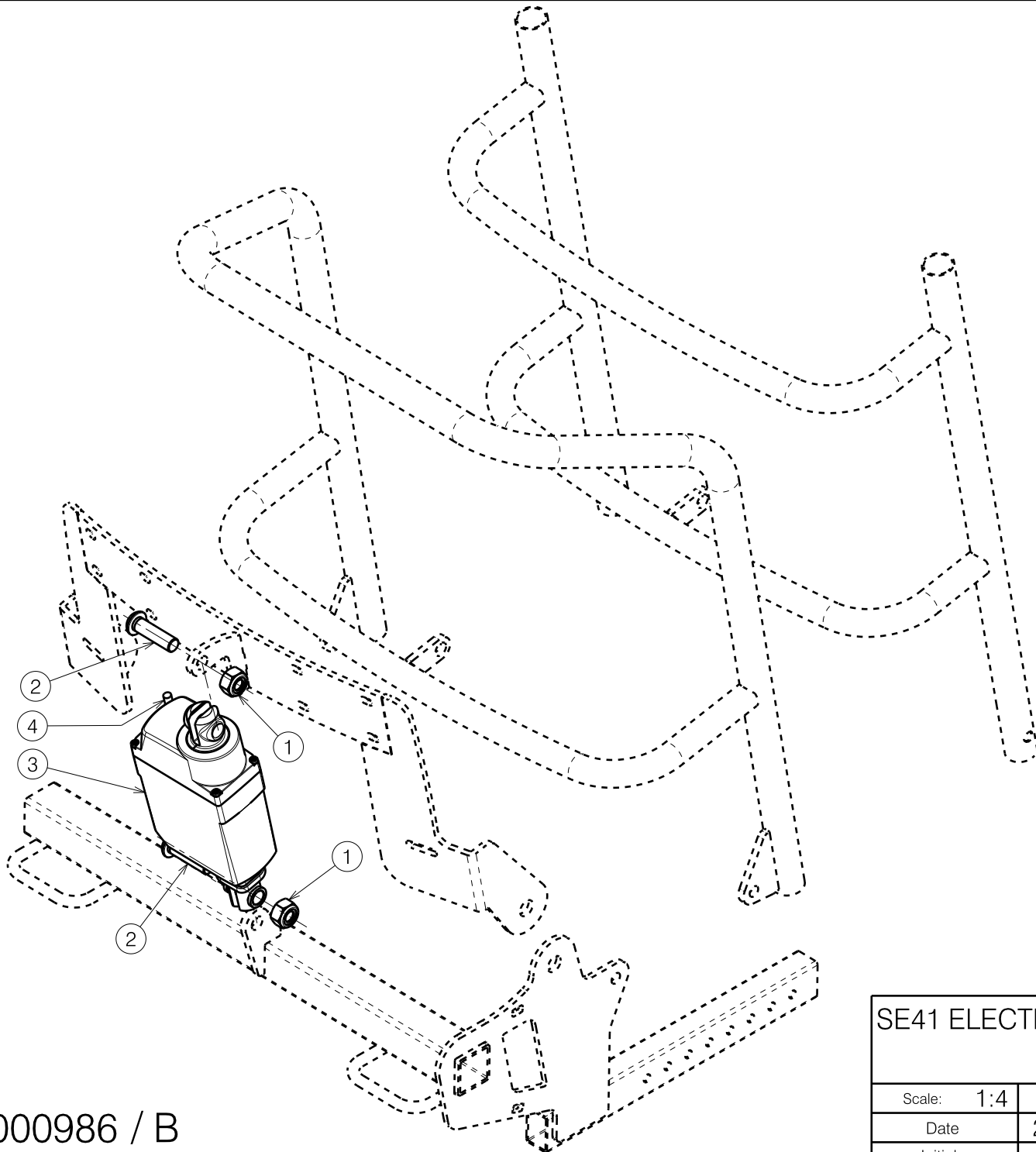



Material			
No.	Plan	Article	Quantity
1	M10 DIN985	1001683	2
2	M10x35	1009442	2
3	---	1906790	1
4	---	1906791	1
5	---	1906792	1



E000986 / B

SE41 ELECTRICAL BACK FRAME INCLINATION				Plan No.
TIMIX/FOREST3				E000986 / B
Scale: 1:4	Drafted	Verified	Confirmed	
Date	26/05/2015	22/11/2016	22/11/2016	
Initials	TT	SD	PJ	