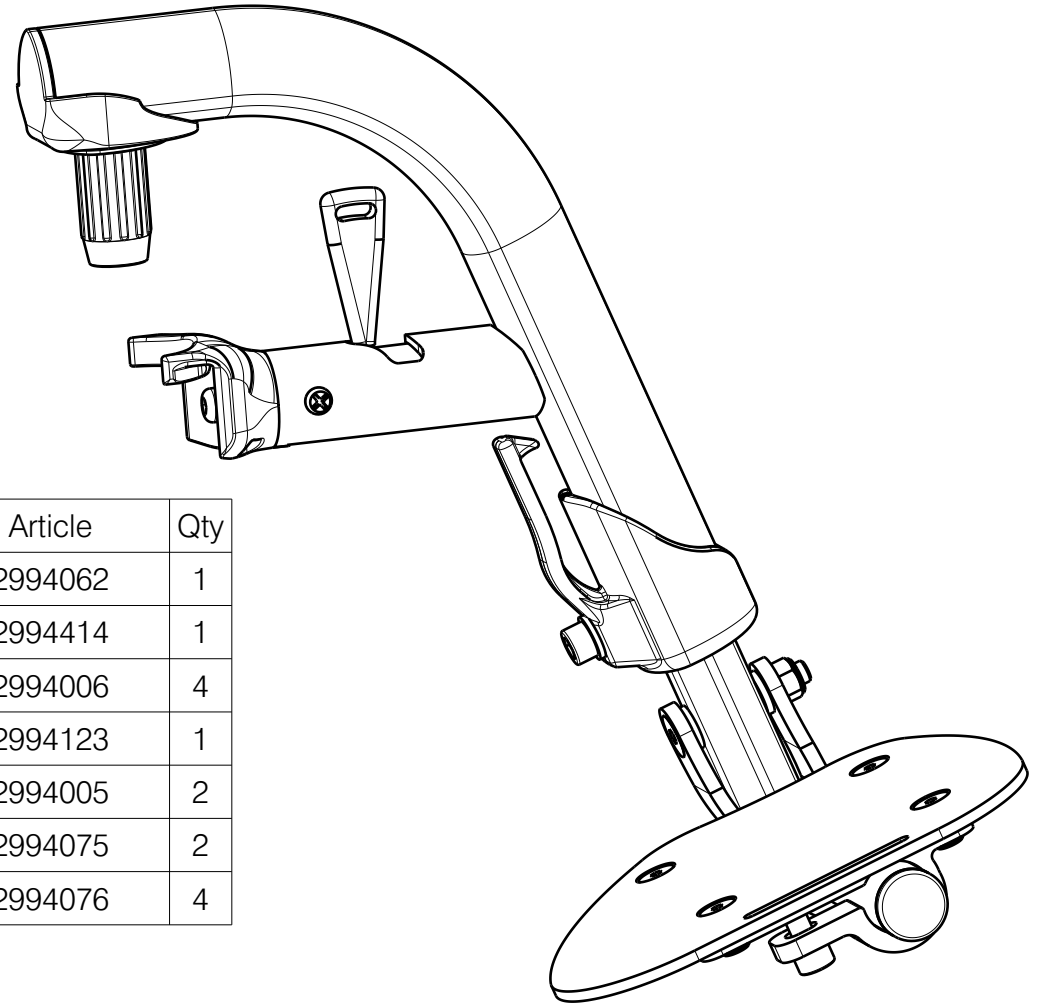


NOTICE: THE INFORMATION CONTAINED ON THIS DRAWING IS PROPRIETARY TO VERMEIREN GROUP AND SHALL NOT BE DISCLOSED IN WHOLE OR IN PART, OR USED FOR ANY DESIGN OR MANUFACTURE, EXCEPT WHEN SUCH USER POSSESSES DIRECT WRITTEN AUTHORISATION FROM VERMEIREN GROUP.

FOOTREST B06F / 30-36 / TRIGO				1/2
Scale:	1:3	Drafted	Verified	Confirmed
Date	12.05.2023	28/06/2023	28/06/2023	
Initials	AZ	AZ	AS	

Plan No.
E00059601/A3.1


No.	Plan	Article	Qty
1	P00058361 (S)	2676726	1
	P00059786 (L)	2676826	1
2	M6x35 DIN912	2994634	1
3	P00058850	2676600	1
4	YP06178	27291... (70)	1
	YP06291	27998... (80)	1
	YP06182	27292... (90)	1
5	YP06229 (R)	2796365 (30-32)	1
	YP06126 (L)	2729965 (30-32)	1
	YP06254 (R)	2796665 (34-36)	1
	YP06893 (L)	2765665 (34-36)	1
6	YP06231 (R)	2796454 (30-32)	1
	YP06232 (L)	2796554 (30-32)	1
	YP06256 (R)	2796754 (34-36)	1
	YP06257 (L)	2796854 (34-36)	1
7	X004774	1906056	2
8	XP01127	2990164	2
9	XP01504	GP07699	2
10	XP01512	2993454	1
11	XP01523	GP08000	1
12	XP01542	2993471	1
13	XP01546	2993452	1
14	XP01565	2993472	1
15	XP01628	GP09100	1
16	XP02030	GP14499	1
17	Cap D19	1001602	1
18	M6 DIN986	2994059	1
19	B18 (30-36)	2994200	1



No.	Plan	Article	Qty
20	M6x25 ISO7380	2994062	1
21	D6,4 DIN125	2994414	1
22	M5 DIN985	2994006	4
23	M6x40 DIN7991	2994123	1
24	M6x12 DIN912	2994005	2
25	Screw D3.5x9.5	2994075	2
26	M5x12 DIN7991	2994076	4

Only for depth: 30-36
For depth 38-50 use E00059605

NOTICE: THE INFORMATION CONTAINED ON THIS DRAWING IS PROPRIETARY TO VERMEIREN GROUP AND SHALL NOT BE DISCLOSED IN WHOLE OR IN PART, OR USED FOR ANY DESIGN OR MANUFACTURE, EXCEPT WHEN SUCH USER POSSESSES DIRECT WRITTEN AUTHORISATION FROM VERMEIREN GROUP.

FOOTREST B06F / 30-36 / TRIGO				---
				Plan No. E00059601/A3.1
Scale: 1:3	Drafted	Verified	Confirmed	
Date	12.05.2023	28/06/2023	28/06/2023	
Initials	AZ	AZ	AS	