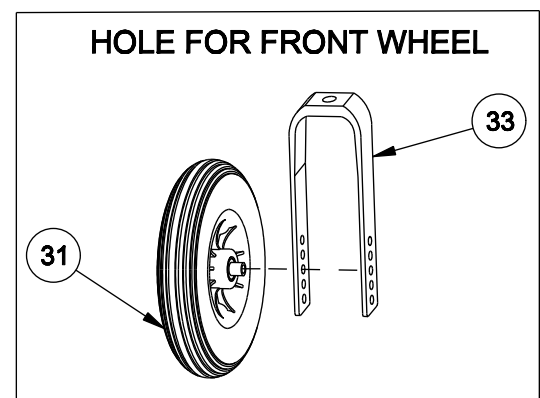
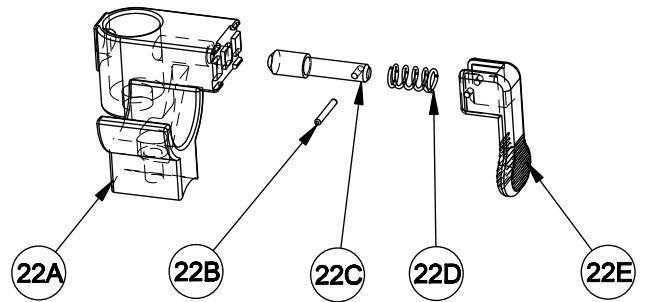
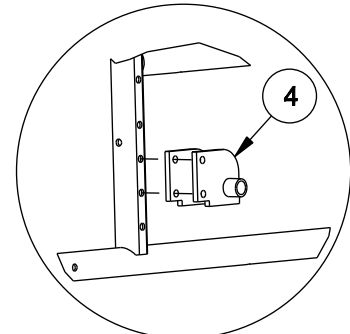


Item 22 Exploded View



Detail A




EC00481/A

ECL X2 B69 FOR PL				Plan No.
				EC00481/A
Scale:1:8	Drafted	Verified	Confirmed	
Date	22/05/2020	22/05/2020	22/05/2020	
Init.	AL	JJQ	TG	

EC00481/A

Material			
No.	Plan	Article	Number
1	YC01366(L)	1C786	1
	YC01367(R)	1C787	1
2	YC01361	1C788	2
3	YC00030	1C009	2
4	YC00658	1C24854	1
	YC00657	1C24754	1
5	---	1003109	4
6	---	3990117	2
7	X000582	1005740	2
8	---	H016007	4
9	X002679	1994452	2
10	---	1001495	2
11	---	3990132	2
12	---	3990041	2
13	---	1001534	2
14	---	1002994	2
15	---	1008492	18
16	---	3991658	2
17	---	3990684	2
18	---	1006850	4
19	X004309	1904133	2
20	---	G084204	4
21	---	1001564	6
22	---(L)	3990524	1
	---(R)	3990525	1
22A	XC00119(R)	3990382	1
	XC00120(L)	3990383	1
22B	---	1992597	2
22C	X002163	1488100	2
22D	X002169	1992791	2
22E	X002132	1992423	2

23	--	1001610	2
24	X004415	17193	2
25	---	1903903	2
26	---	1001684	2
27	X000188	G078500	2
28	---	1992559	4
29	XC00014	3990031	2
30	X001016	1001682	2
31	---	1915353	2
32	---	1998993	2
33	X002635	1994437	2
34	---	1992835	4
35	X004973	1907519	4
36	---	1001680	2
37	X004469	1905045	2
38	---	1915137	2
39	X004818	1906184	2
40	---	1003909	6
41	XC00037	3990106	2

ECL X2 B69 FOR PL				Plan No.
				EC00481/A
Scale:1:8	Drafted	Verified	Confirmed	
Date	22/05/2020	22/05/2020	22/05/2020	
Init.	AL	JJQ	TG	