
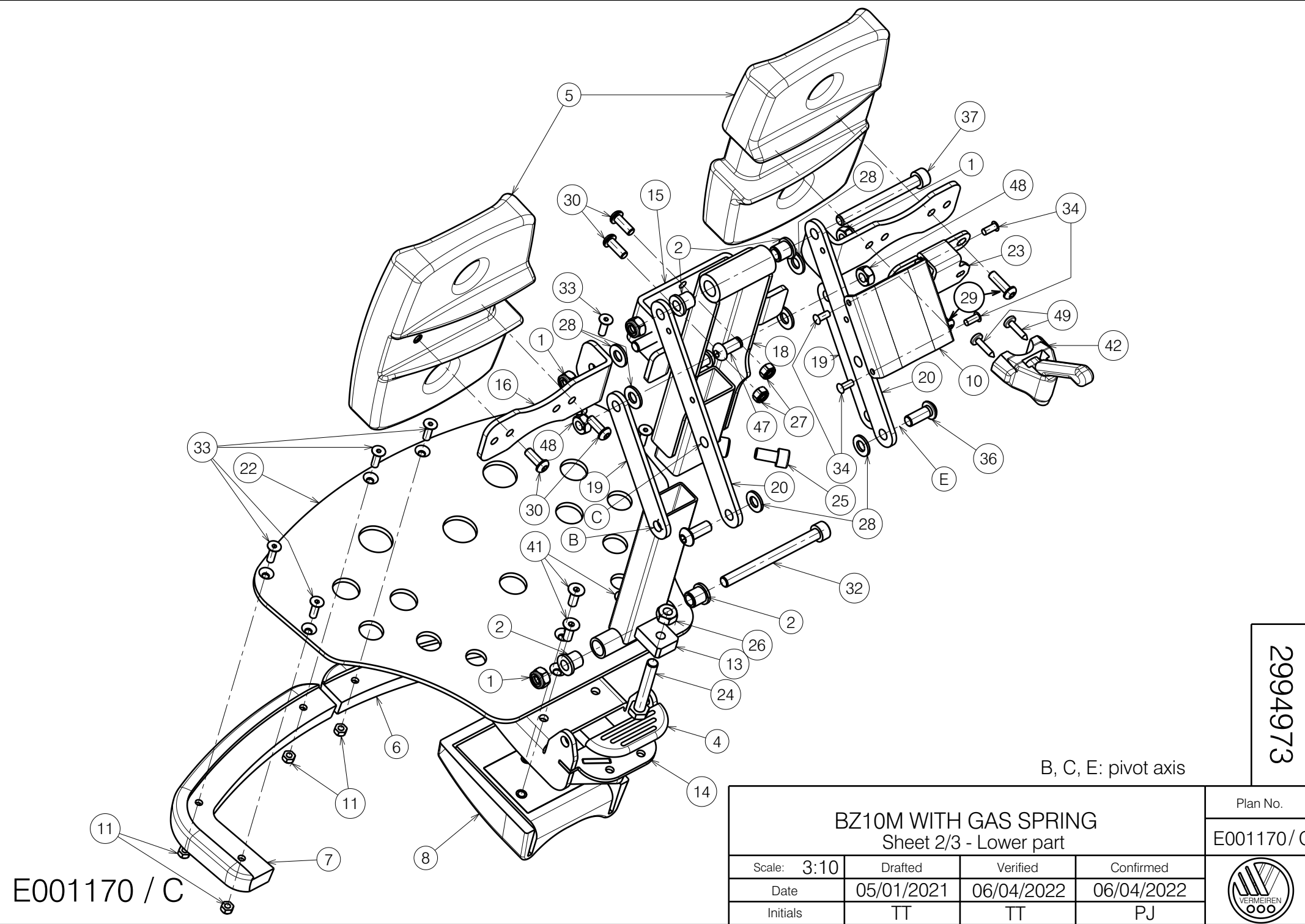


A, B, C, D, E: pivot axis

2994973

E001170 / C


BZ10M WITH GAS SPRING				Plan No. E001170 / C
Sheet 1/3 - Upper part				
Scale: 1:2	Drafted	Verified	Confirmed	
Date	05/01/2021	06/04/2022	06/04/2022	
Initials	TT	TT	PJ	



2994973

B, C, E: pivot axis

E001170 / C

BZ10M WITH GAS SPRING Sheet 2/3 - Lower part				Plan No. E001170 / C
Scale: 3:10	Drafted	Verified	Confirmed	
Date	05/01/2021	06/04/2022	06/04/2022	
Initials	TT	TT	PJ	


Material			
No.	Plan	Article	Quantity
1	M8 DIN985	2994009	13
2	X002986	1995693	6
3	X002989	1996786	2
4	X004580	1904798	1
5	X004785	1905949	2
6	X005932	1916373	1
7	X005931	1916372	1
8	X005050	1908389	1
9	X005054	1908463	1
10	X005056	1908464	1
11	M5 DIN985	1001679	6
12	X005851	1915409	2
13	Y017878	1777900	1
14	Y017925	1778054	1
15	Y018160	1776854	1
16	Y018367	1778154	2
17	Y018419	1777854	2
18	Y023589	2063854	1
19	Y018435	1777754	2
20	Y018436	1777654	2
21	Y023098	2058154	1
22	Y022321	2044254	1
23	Y023383	2073454	1
24	M8x50 DIN933	1998135	1
25	M8x16 DIN916	1915411	1
26	M8 DIN934	1915947	1
27	M6 DIN985	2994063	2
28	M8 DIN125	2994415	10
29	M6x20 ISO7380	2994010	2
30	M6x16 ISO7380	2994067	4

Material			
No.	Plan	Article	Quantity
31	M8x65 DIN912	1915948	2
32	M8x90 DIN912	1915949	1
33	M5x16 DIN7991	1907493	6
34	Push-in nail	1990752	10
35	Gas spring 150N	1996871	1
36	M8x20 ISO7380	1915944	2
37	M8x75 DIN912	2994374	1
38	Gas spring operator	1994748	1
39	Cable fastener Ø5x7	1994749	1
40	Cable guide	1994750	1
41	M6x16 DIN7991	2994064	3
42	Brake lever	2994416	1
43	M8X80 DIN912	2994121	1
44*	Brake cable	1004094	1
45*	Cable hose	2993049	0,6m
46*	Hose	1911733 (40) std.	1
	Hose	1911701 (45) std.	1
	Hose	1911734 (50) std.	1
47	M8x16 ISO7380	2994427	2
48	M8	2994307	2
49	Ø5x20	2990326	2

* Not depicted

2994973

E001170 / C

BZ10M WITH GAS SPRING				Plan No.
Sheet 3/3 - BOM				E001170 / C
Scale: 1:2	Drafted	Verified	Confirmed	
Date	05/01/2021	06/04/2022	06/04/2022	
Initials	TT	TT	PJ	