
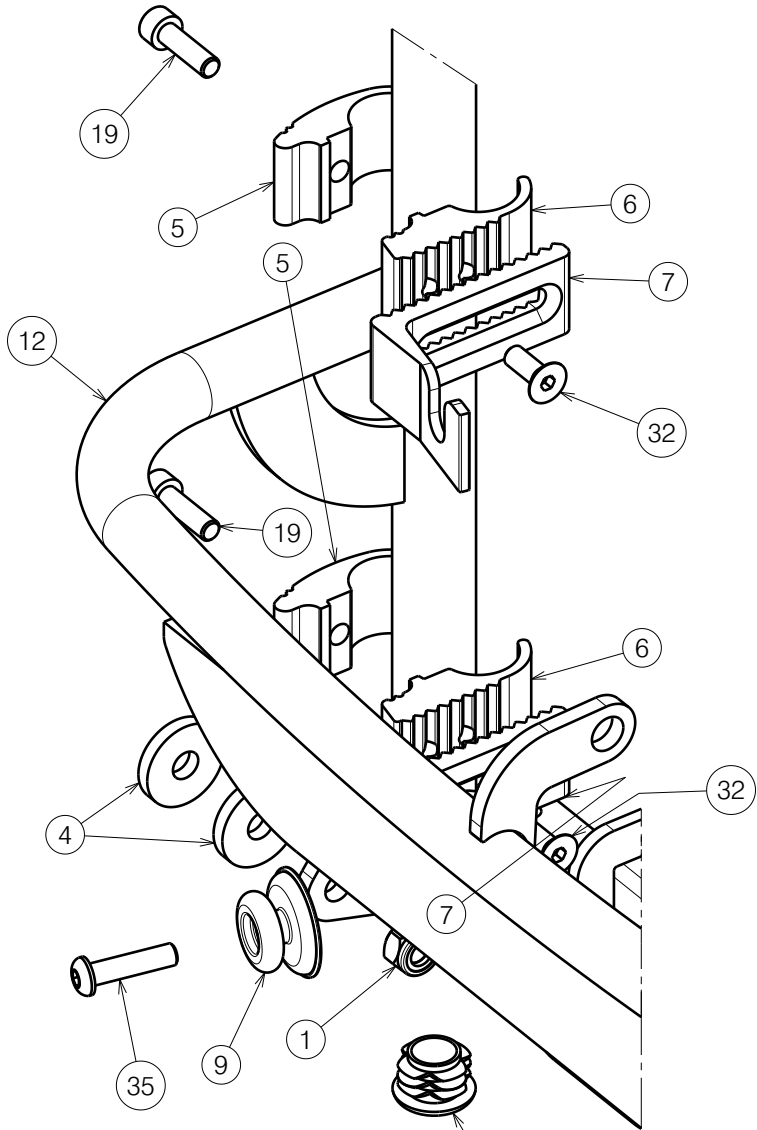


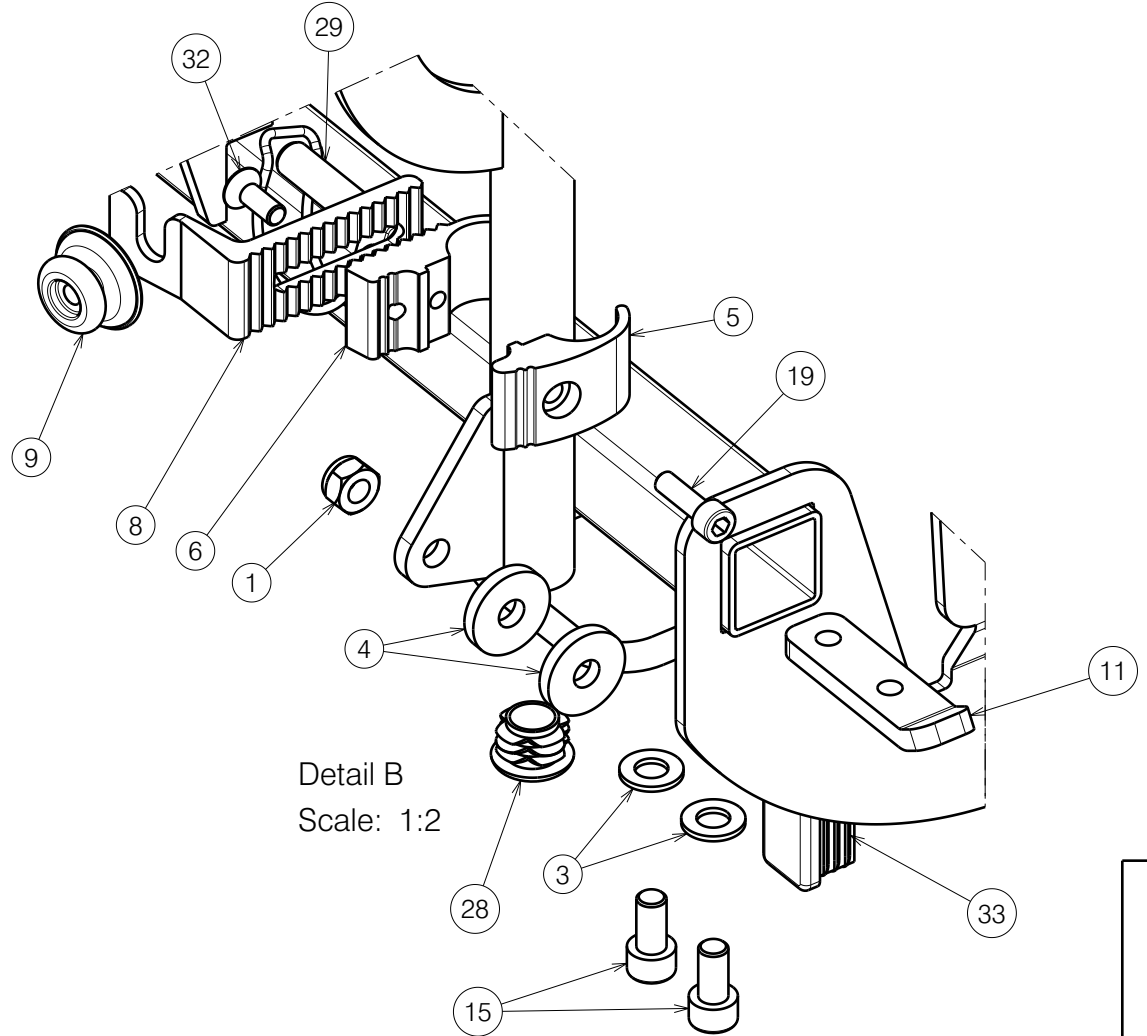
E001138 / C

Sheet 1/3

| | | | | |
|--|------------|-----------|-----------|---|
| BACK FRAME L34 TUB / L44 SE34 TYPE SIGMA | | | | Plan No. E001138 / C |
| Scale: 2:5 | Drafted | Verified | Confirmed |  |
| Date | 18/11/2019 | 2/01/2024 | 2/01/2024 | |
| Initials | SD | PM | MK | |



Detail A
Scale: 1:2



Detail B
Scale: 1:2

Sheet 2/3

E001138 / C


| | | | | |
|--|------------|-----------|-----------|---|
| BACK FRAME L34 TUB / L44 SE34 TYPE SIGMA | | | | Plan No. E001138 / C |
| Scale: 2:5 | Drafted | Verified | Confirmed |  |
| Date | 18/11/2019 | 2/01/2024 | 2/01/2024 | |
| Initials | SD | PM | MK | |

| Material | | | |
|----------|---------------|--------------|----------|
| No. | Plan | Article | Quantity |
| 1 | X001016 | 1001682 | 4 |
| 2 | X001052 | G066600 | 2 |
| 3 | X001119 | 1001554 | 4 |
| 4 | X004048 | 1902685 | 4 |
| 5 | X004820 | 1744599 | 4 |
| 6 | X004821 | 1744699 | 4 |
| 7 | X004822 | 1744799 | 2 |
| 8 | X004823 | 1744899 | 2 |
| 9 | X004861 | 1906454 | 2 |
| 10 | X005471 | 2011600 | 1 |
| 11 | Y018564 | 1774200 | 2 |
| 12 | YP09205 | 2638854 (40) | 1 |
| | YP09206 | 2638954 (45) | 1 |
| | YP09207 | 2639054 (50) | 1 |
| 13 | Y022312 | 2049854 (40) | 1 |
| | Y022980 | 2049754 (45) | 1 |
| | Y022313 | 2049954 (50) | 1 |
| 14 | Soft grey 40 | 1912001 | 1 |
| | Soft grey 45 | 1911493 | 1 |
| | Soft grey 50 | 1912063 | 1 |
| | Soft black 40 | 2998244 | 1 |
| | Soft black 45 | 2998245 | 1 |
| | Soft black 50 | 2998246 | 1 |

| Material | | | |
|----------|-----------------|--------------|----------|
| No. | Plan | Article | Quantity |
| 15 | M8x16 DIN912 | 1001498 | 4 |
| 16 | M6x30 DIN7984 | 1992721 | 1 |
| 17 | Ø8x40 | 1992510 | 1 |
| 18 | D3,9x16 DIN7982 | 1005767 | 4 |
| 19 | M6x20 DIN912 | 1001493 | 4 |
| 20 | M8x40 ISO7380 | 1008739 | 1 |
| 21 | M6x15 | 1009932 | 2 |
| 22 | 25x25 | 1001617 | 1 |
| 23 | 20x20 | 1001612 | 1 |
| 25 | Y021512 | 2011700 | 1 |
| 26 | Y021526 | 2011554 | 1 |
| 27 | Y021513 | 2011454 | 1 |
| 28 | Ø22 | 1990648 | 2 |
| 29 | Ø10x40 | 1991481 | 1 |
| 30 | M8x20 ISO7380 | 1992349 | 2 |
| 31 | M8x30 ISO7380 | 1992717 | 2 |
| 32 | M6x16 DIN7991 | 1994752 | 4 |
| 33 | 30x20 | 1997922 | 2 |
| 34 | --- | 2993352 | 1 |
| 35 | M6x25 ISO7380 | 1006998 | 2 |
| 36 | X004888 | 1906839 (40) | 1 |
| | X004857 | 1906740 (45) | 1 |
| | X004889 | 1906841 (50) | 1 |
| 37 | --- | 1906843 (40) | 1 |
| | --- | 1906844 (45) | 1 |
| | --- | 1906845 (50) | 1 |

Sheet 3/3

E001138 / C

| | | | | |
|--|------------|-----------|-----------|---|
| BACK FRAME L34 TUB / L44 SE34 TYPE SIGMA | | | | Plan No. |
| | | | | E001138 / C |
| Scale: 2:5 | Drafted | Verified | Confirmed |  |
| Date | 18/11/2019 | 2/01/2024 | 2/01/2024 | |
| Initials | SD | PM | MK | |