
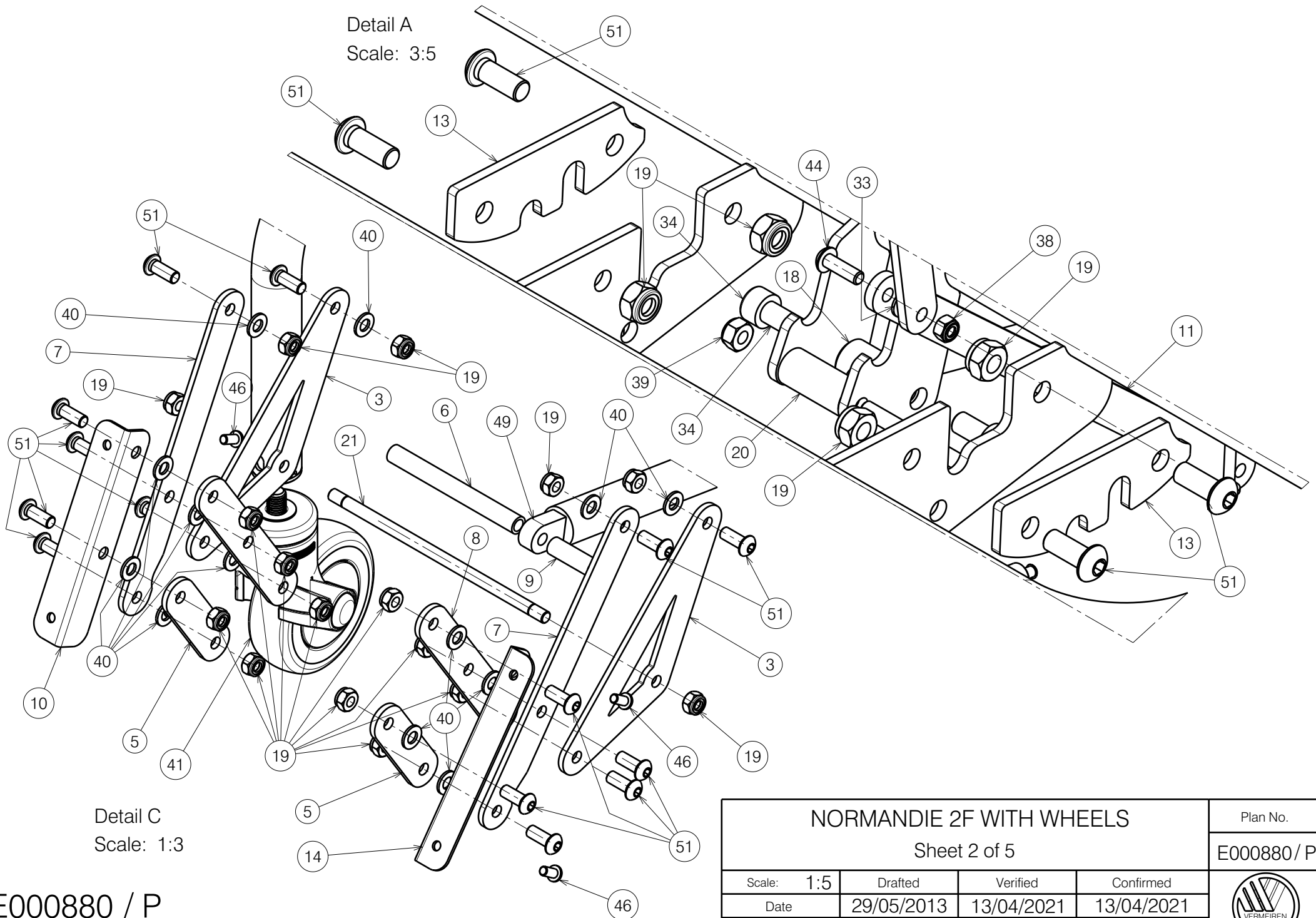


E000880/P


NORMANDIE 2F WITH WHEELS				Plan No.
Sheet 1 of 5				E000880/P
Scale: 1:8	Drafted	Verified	Confirmed	
Date	29/05/2013	13/04/2021	13/04/2021	
Initials	JG	SD	PJ	

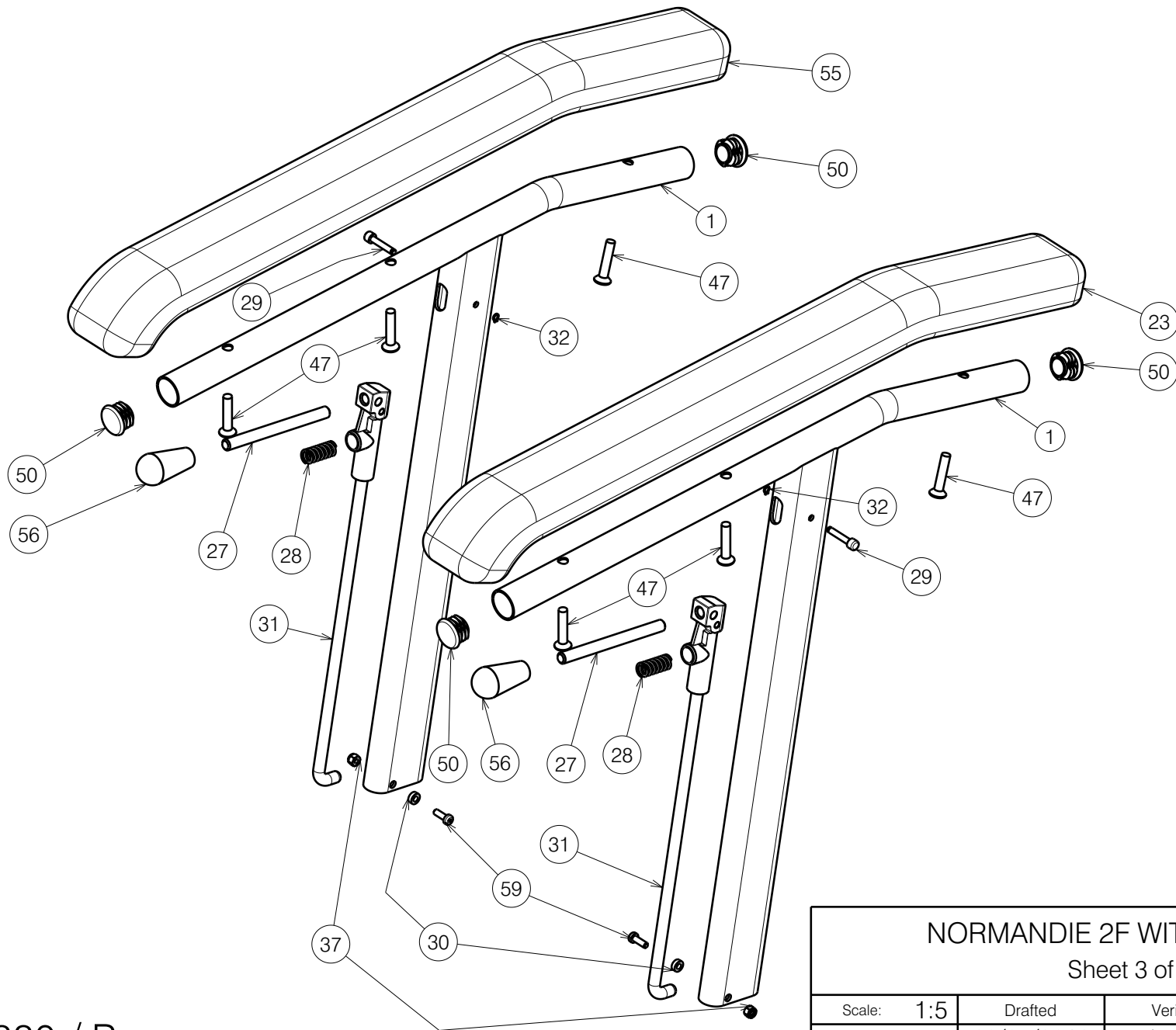
Detail A
Scale: 3:5




Detail C
Scale: 1:3

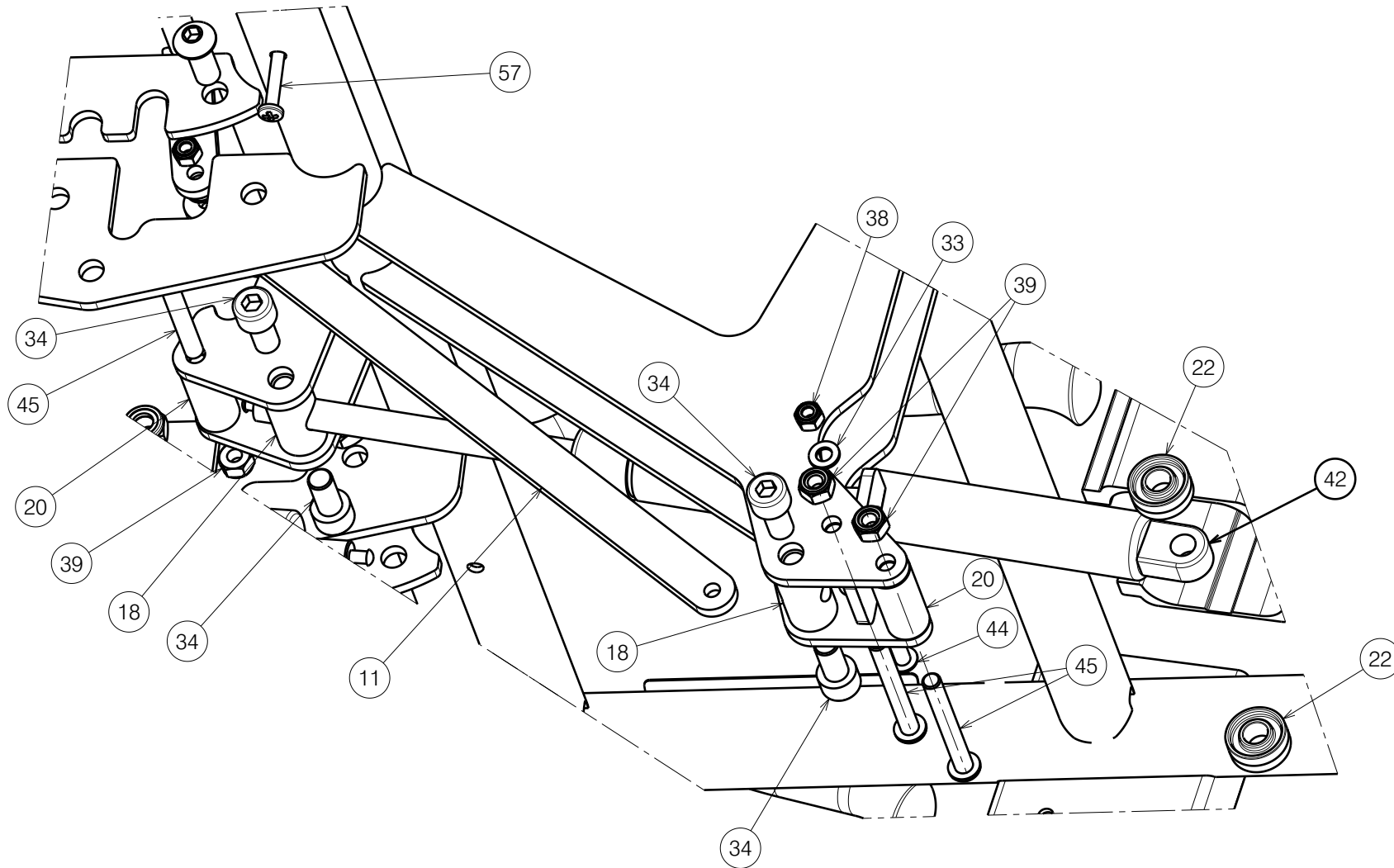
E000880 / P

NORMANDIE 2F WITH WHEELS				Plan No.
Sheet 2 of 5				E000880 / P
Scale: 1:5	Drafted	Verified	Confirmed	
Date	29/05/2013	13/04/2021	13/04/2021	
Initials	JG	SD	PJ	




E000880 / P

NORMANDIE 2F WITH WHEELS Sheet 3 of 5				Plan No. E000880 / P
Scale: 1:5	Drafted	Verified	Confirmed	
Date	29/05/2013	13/04/2021	13/04/2021	
Initials	JG	SD	PJ	



E000880 / P

NORMANDIE 2F WITH WHEELS Sheet 4 of 5				Plan No. E000880 / P
Scale: 1:5	Drafted	Verified	Confirmed	
Date	29/05/2013	13/04/2021	13/04/2021	
Initials	JG	SD	PJ	


Bill of material

No.	Plan	Article	Quantity	No.	Plan	Article	Quantity
1	Y015294	1714801	2	30	XP00192	1826100	2
3	Y018451	1789082	2	31	XP00208	2990139	2
4	Y020034	1790382	1	32	XP00297	2990125	2
5	Y018624	1788982	2	33	M5 DIN125	1000972	2
6	X005151	1788200	1	34	M18X16 DIN912/8.8	1001498	4
7	Y018627	1789782	2	36	M6 DIN934	1001670	8
8	Y018629	1788882	2	37	M4 DIN985	1001678	2
9	X005150	1788100	1	38	M5 DIN985	1001679	2
10	Y018755	1789382	1	39	M6 DIN985	1001680	3
11	Y018991	1789182	1	40	M8 DIN125	1003199	14
12	Y018992	1788500	1	41	---	1916735	2
13	Y019191	1789482	2	42	400 N	1917603	1
14	Y019247	1789282	1	43	---	1916736	2
15	Y019309	1788600	1	45	M6X50	1006997	3
16	Y019311	1788700	1	46	M6X12	1007000	12
17	---	2072782	1	47	M6X30 DIN966/4.8	1007954	6
17A	YP00913	1836882	1	48	X004485	1903994	2
17B	X000989	1004539	4	49	---	1909095	1
18	X000319	G080200	2	50	---	1990648	6
19	X001016	1001682	20	51	M8X20	1992349	18
20	X001296	G065155	2	52	Ø8X45	1993594	1
21	X001862	1447500	1	53	M8X60 DIN912/8.8	1997781	2
22	X002480	1993793	2	54	---	T001095	2
23	XP00177	2990116	1	55	XP00178	2990117	1
25	X004586	1904800	4	56	---	1998407	2
26	X004587	1904801	2	57*	Ø4x40	1005207	2
27	XP00176	1824100	2	58**	M6x35 DIN966/4.8	1003903	4
28	XC00423	3991837	2	59	M4x12 DIN7985H	1900952	2
29	XP00180	1824500	2	60	YP00915	1836982	1
				61	M6x40 ISO7380	1006111	4

* Not mounted, delivered separately

** Not depicted

E000880 / P

NORMANDIE 2F WITH WHEELS				Plan No.
Sheet 5 of 5				E000880 / P
Scale: 1:5	Drafted	Verified	Confirmed	
Date	29/05/2013	13/04/2021	13/04/2021	
Initials	JG	SD	PJ	