

No.	Plan	Article	Qty
1	P00045271 (Beech)	HP00525	1
	P00064220 (Black)	HP00805	1
2	P00047959	2668400	1
3	P00048147	26686...	1
4	P00048473	2997547	1
5	P00053129	2672800	1
6	P00053137	GP28600	1
7	X000586	1005742	1
8	XP00116	2990074	1
9	XP00126	2990090	1
10	M5 DIN125A	1001550	1
11	Cap D19	1001602	1
12	M12 DIN985	1001684	1
13	M12	1993362	2
14	Sterknop M8x20	1001580	1
15	D4x20	1991373	4
16	D4x40	1005207	1
17	Cap D25	1001608	1

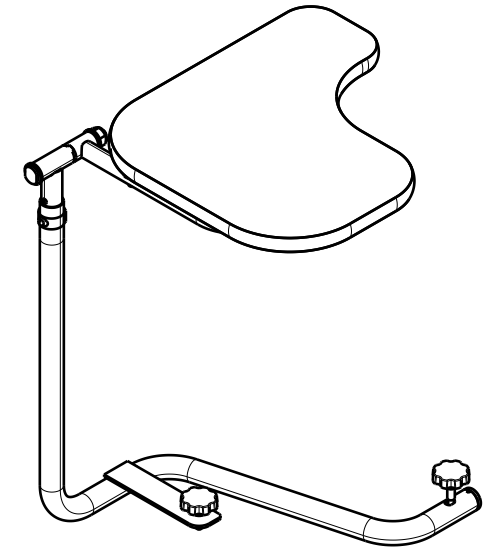
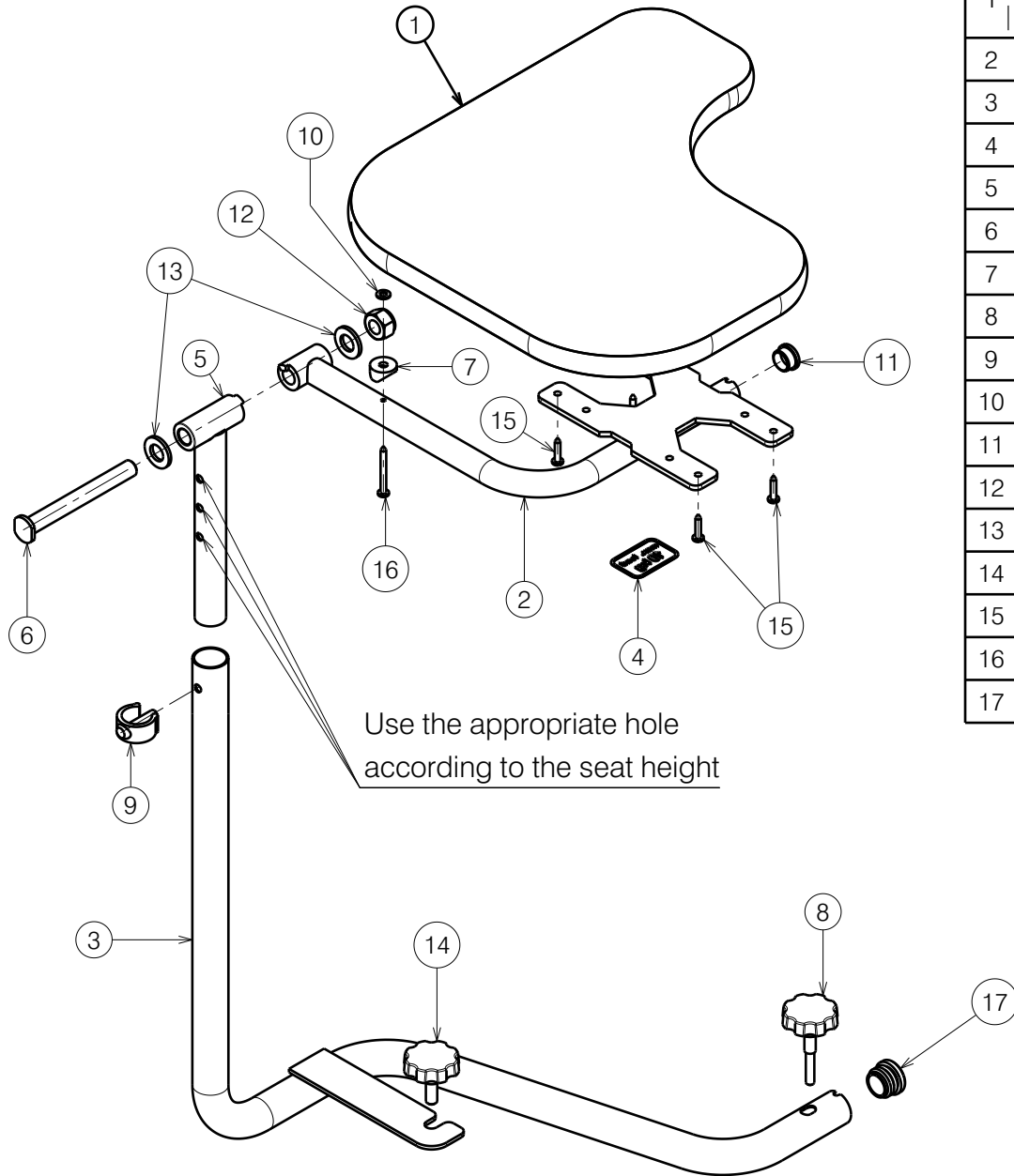
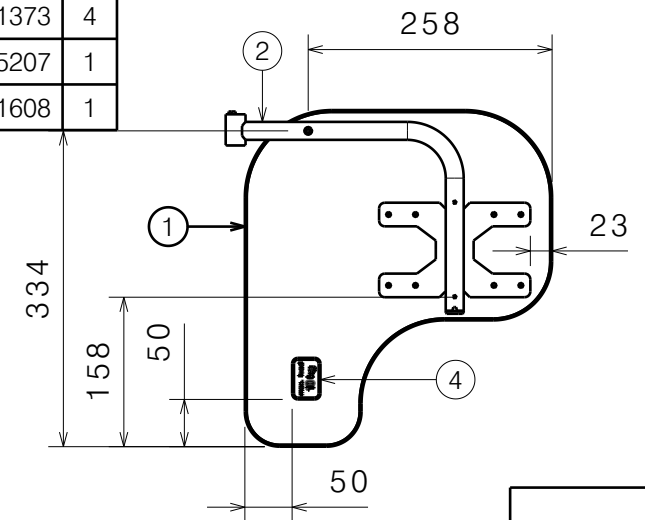


Table top and sticker positions:



HALF-TABLE / CORAILLE 2				---
				Plan No.
				E00048499/C1.1
Scale:	1:5	Drafted	Verified	Confirmed
Date	2022-11-22	12/07/2023	12/07/2023	
Initials	AZ	PM	AZ	

