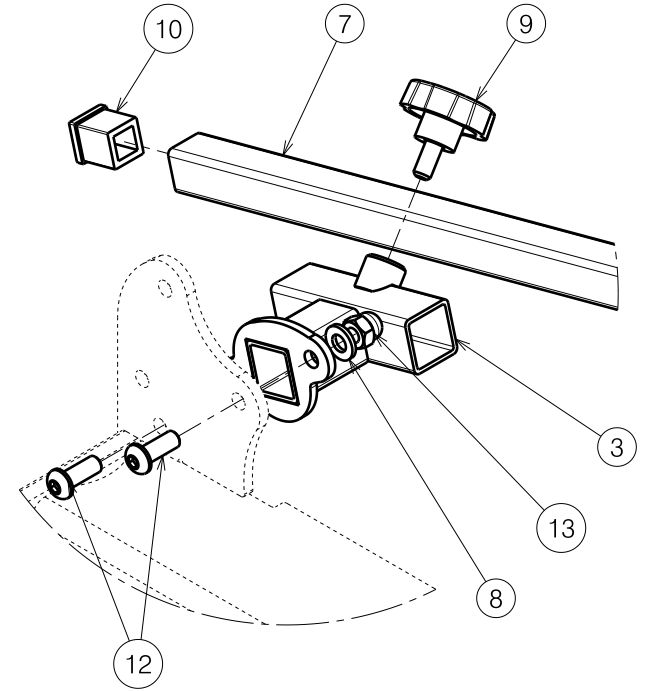
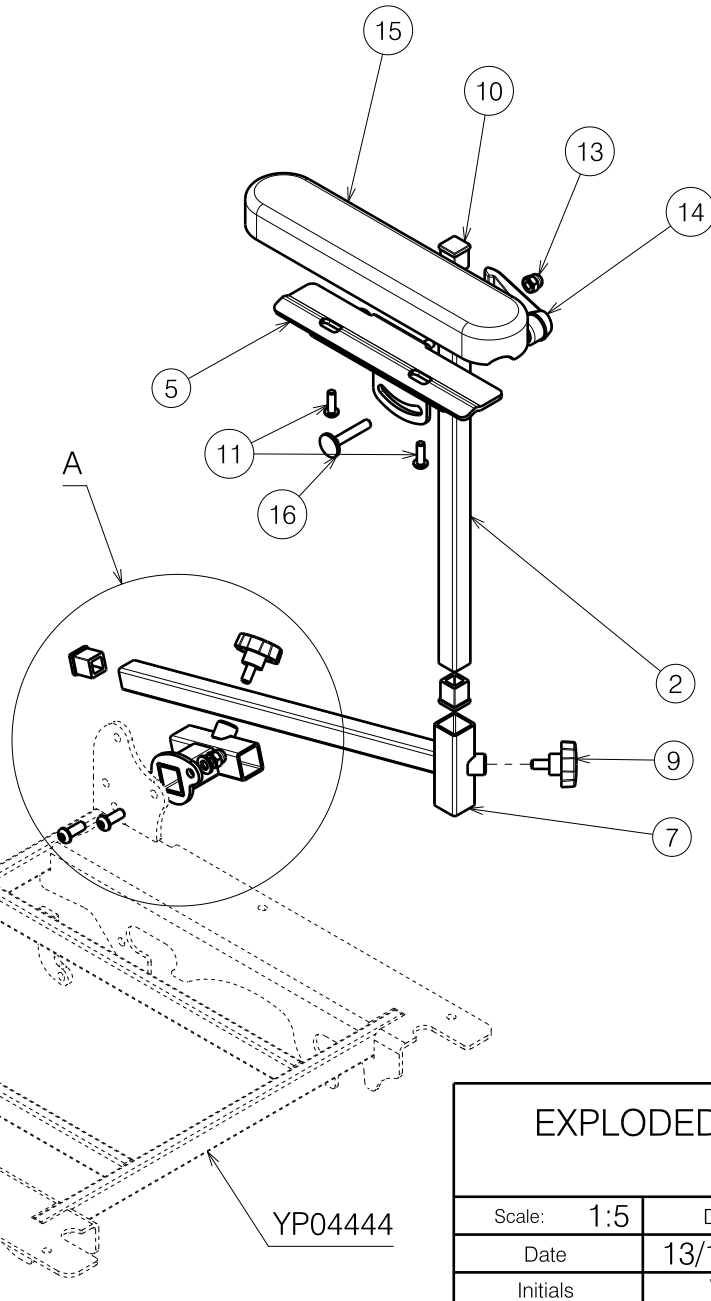
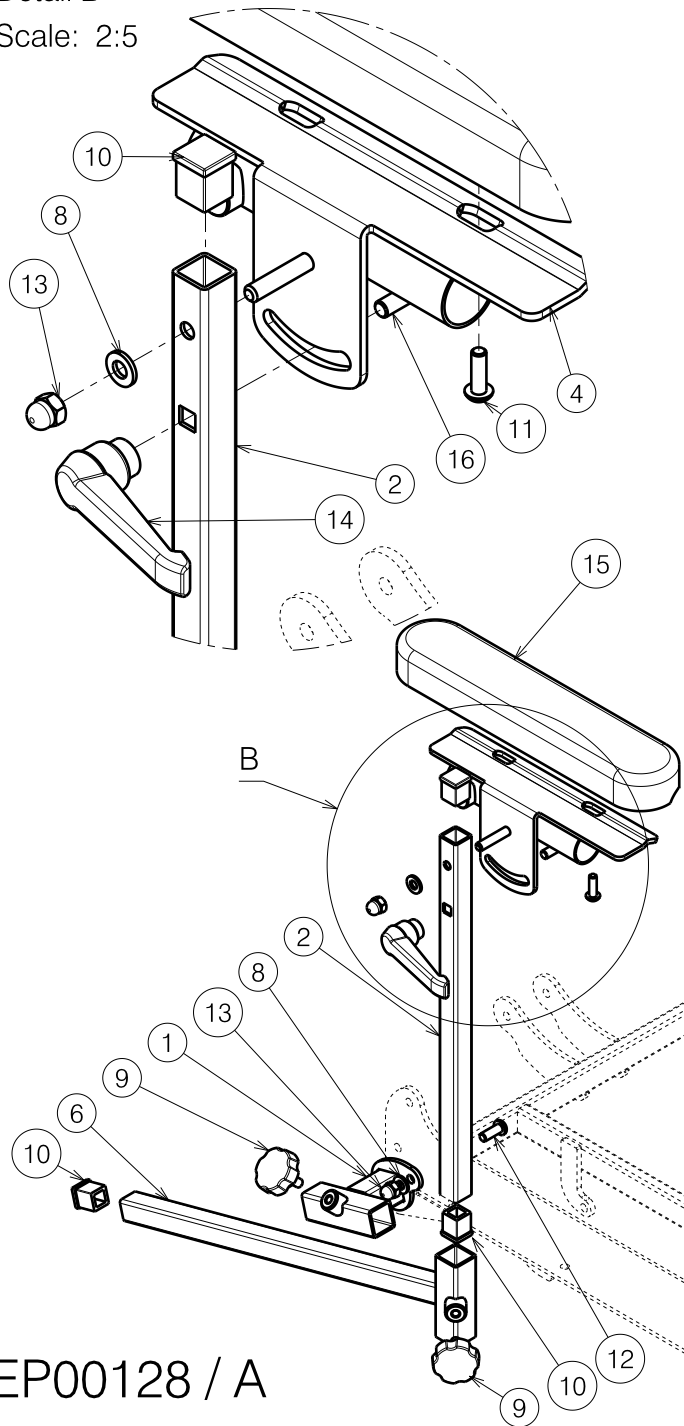


Detail B
Scale: 2:5



Detail A
Scale: 2:5


EP00128 / A

YP04444

EXPLODED VIEW BAYO 40 ARMREST				Plan No.
				Page 1/2 EP00128/ A
Scale: 1:5	Drafted	Verified	Confirmed	
Date	13/11/2013	14/11/2013	14/11/2013	
Initials	WM	MK	TK	

Material			
No.	Plan	Article	Quantity
1	YP04267	2849906	1
2	YP04288	2850400	2
3	YP04611	2870306	1
4	YP04612	2870400	1
5	YP04613	2870500	1
6	YP04620	2870700	1
7	YP04621	2870800	1
8	D12xD6.4X1.2 DIN125-1A	1001564	6
9	M6x12	1003658	4
10	---	1005899	6
11	M5x16	1006112	4
12	M6x16	1008459	4
13	---	1008492	6
14	---	1996843	2
15	---	2991050	2
16	M6x30 DIN 603	2992511	2

EP00128 / A

EXPLODED VIEW BAYO 40 ARMREST				Plan No.
Page 2/2				EP00128/ A
Scale: 1:5	Drafted	Verified	Confirmed	
Date	13/11/2013	14/11/2013	14/11/2013	
Initials	WM	MK	TK	