

Installation manual

MANUEL D'INSTALLATION
INSTALLATIEHANDLEIDING
INSTALLATIONSANLEITUNG
MANUALE DI INSTALLAZIONE
MANUAL DE INSTALACIÓN
INSTRUKCJA INSTALACJI
PŘÍRUČKU PRO INSTALACI

Sagitta Sagitta SI



Content

Content	1
Preface	2
1 This product	3
2 Scope of delivery	4
3 Tools	4
4 Assembly and adjustments	5
4.1 Adjusting the seat height and seat angle.....	6
4.2 Adjusting the seat depth.....	8
4.3 Adjusting the parking brakes.....	9
4.4 Adjusting the angle of the rear wheels.....	9
4.5 Adjusting of the foot bracket.....	9
4.5.1 Length of the foot bracket.....	9
4.6 Back inclination.....	10
4.7 Adjusting the back height.....	11
4.8 Adjusting the stability and the maneuverability.....	11
4.9 Pneumatic tyre changing.....	12

Preface

To support you on the installation and repairs of this manual wheelchair, we provide you with this installation manual. Please read it carefully. If you still have questions after reading this manual, do not hesitate to contact Vermeiren.

The information in this manual applies to the following wheelchair(s):

- Sagitta
- Sagitta SI

Pictures of the product are used to clarify the instructions. Details of the shown product may deviate from your product.

On our website <http://www.vermeiren.com/> you will always find the most recent version of the following information. Please consult this website regularly for possible updates.

Visually impaired people can download the electronic version of this manual and have it read out by means of a text-to-speech software application.



User manual
For user and specialist dealer



Installation manual
For specialist dealer



Service manual for wheelchairs
For specialist dealer



Drawings of (spare) parts
For specialist dealer



EC declaration of conformity

1 This product



1. Backrest
2. Splash guard
3. Driving wheels (rear wheels)
4. Hand rims
5. Brakes
6. Steering wheels (front wheels)
7. Seat
8. Base frame
9. Foot bracket
10. Identification plate

2 Scope of delivery

The following items are part of the delivery:

- 1 frame with splash guard, rear and front wheels
- 1 foot bracket
- Tools
- Manual
- Accessories
- Tire pump

Before use, check if everything is included and that no products are damaged.

Please note that the basic configuration may differ in different European countries. Contact your specialist dealer.

3 Tools

To (dis)assemble and adjust the wheelchair, the following tools are needed:

- Wrench set no. 10-11
- Allen keyset n° 4-5

4 Assembly and adjustments

**CAUTION**

Risk of injuries or damage

- Read the user manual of the specific wheelchair.
- Be aware of the technical details and limits of intended use; see the user manual.
- The wheelchair needs to be adjusted by a specialist dealer according to the instructions in this manual.
- Any modification to the product will lapse the warranty and will cease the responsibility of Vermeiren.
- Only use parts and tools described in this manual.
- Prevent bystanders from accessing the working area.
- While adjusting and operating the wheelchair, make sure no objects or body parts get caught between moving parts.
- Only use the settings described in this manual.
- Make sure that the adjustment on left and right side of the wheelchair are the same.
- Deviation of the adjustment settings may influence the stability of the wheelchair with risk of tilting and falling.
- Any modification to the product will lapse the warranty and will cease the responsibility of Vermeiren.
- Make sure all screws are firmly secured before riding the wheelchair. Adhere to the tightening torques for screws according to the Torque table on our website.

**Important remarks**

- For more information, contact Vermeiren. See the website <http://www.vermeiren.com/>

4.1 Adjusting the seat height and seat angle

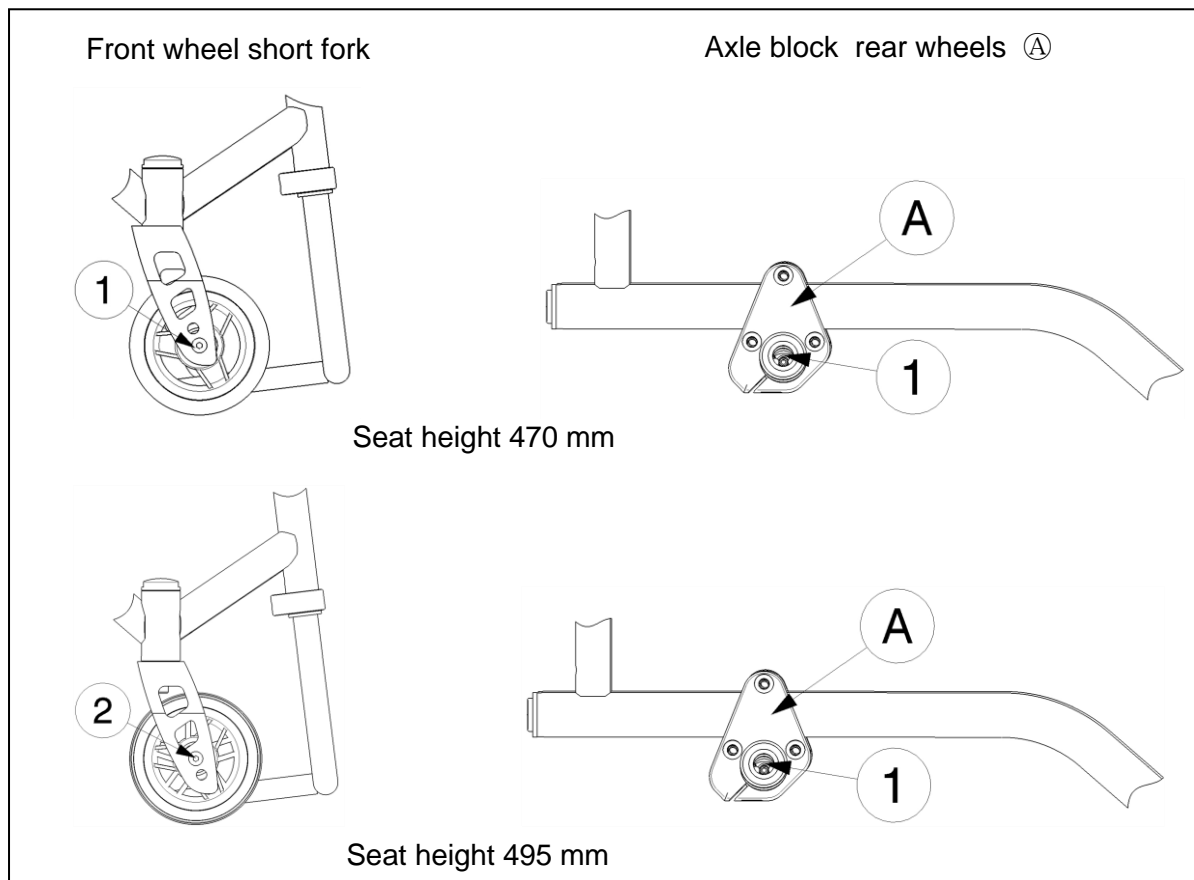
⚠ WARNING: Risk of tipping over - Make sure that both steering wheels are mounted in the same position of the front fork.

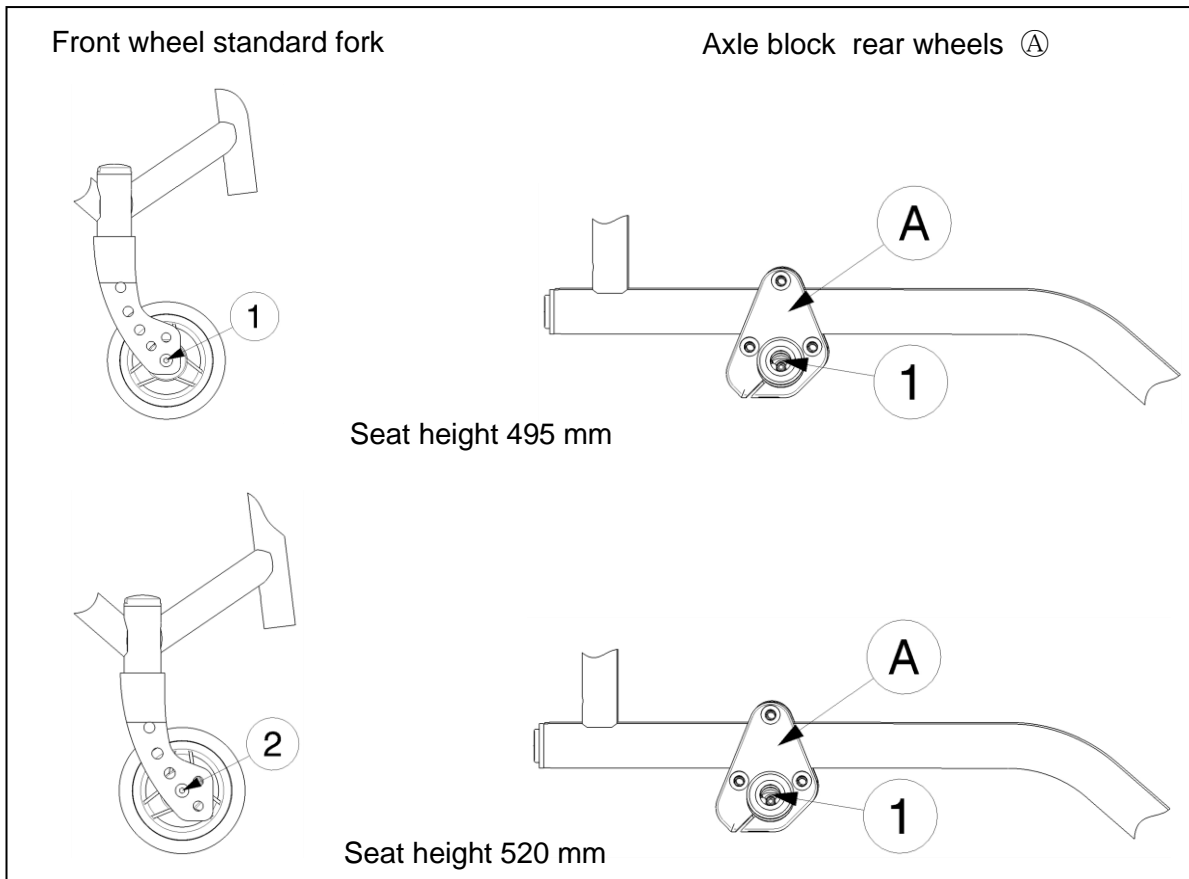
The Vermeiren Sagitta, Sagitta SI are adjustable in 3 seat heights and 3 seat angles (0°-3°-7°) by changing the position, diameter of the front wheels and diameter of the rear wheels. For each height and angle there is a different setting of the front and rear wheels.

Summary of the different seat heights and seat angles:

Name	Seat height	Seat angle (Standard)	Rear wheels		Front wheels		
			Ø	Hole	Ø	Fork	Hole
Sagitta low	470 mm	0°	24"	①	3"	Short	①
Sagitta low	470 mm	3°	22"	①	3"	Short	①
Sagitta low	495 mm	3°	24"	①	4"	Short	②
Sagitta low	495 mm	7°	22"	①	4"	Short	②
Sagitta	495 mm	3°	24"	①	4"	Standard	①
Sagitta	495 mm	7°	22"	①	4"	Standard	①
Sagitta	520 mm	7°	24"	①	5"	Standard	②

Table 1: Seat heights and seat angles for the Sagitta, Sagitta SI





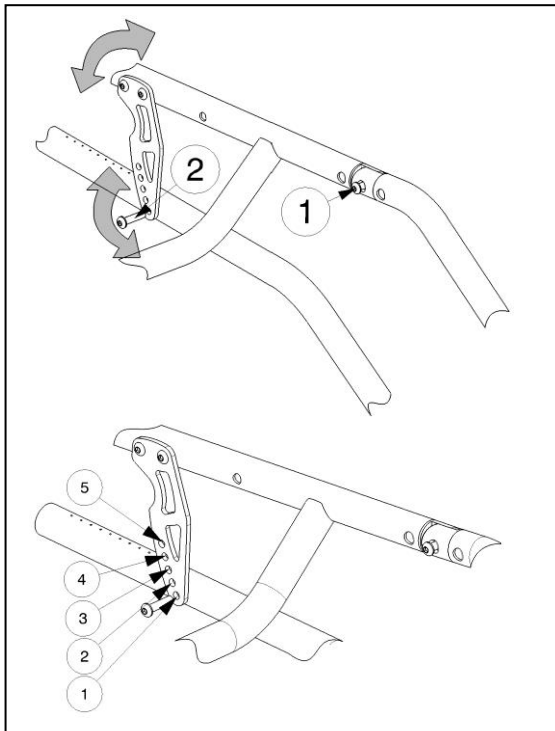
Change the seat height and seat angle according the following steps (When it is not necessary to change the diameter of the rear wheels skip the first four steps):

1. Remove the rear wheels (see § 4.9).
2. Change the diameter of the rear wheels.
3. Mount the rear wheels.
4. Check if the axle bushings are fastened well.
5. Screw the swivel axles of the front wheels loose.
6. Choose the correct diameter for the front wheels (refer to table 1).
7. Place the front wheels in the right hole of the front fork (table 1).
8. Install the swivel axles of the front wheels and tighten them. Check the tension in the swivel axle so it turn smoothly, but there is no space for motion.
9. If installed properly the swivel axles of the front wheels and the ground must be perpendicular. Check this.
10. Adjust the brakes according to § 4.3.

The Vermeiren Sagitta SI can be adjusted in 3 different seat angles without changing wheel diameters and front wheel forks.

Seat depth	Seat angle	Hole
330 - 420 mm	Seat angle (standard-table 3) + 0°	1
330 - 380 mm	Seat angle (standard-table 3) + 2°	2
420 mm	Seat angle (standard-table 3) + 1°	2
330 - 420 mm	Seat angle (standard-table 3) + 3°	3
330 - 420 mm	Do not use	4
330 - 420 mm	Do not use	5

Table 2: Adjustable seat angles for the Sagitta SI



1. Loosen screw ①.
2. Remove screw ②.
3. Adjust the seat angle to the desired position.
(refer to table 2)
4. Retighten screws ① and ②.

4.2 Adjusting the seat depth

The Vermeiren Sagitta, Sagitta SI is standard adjustable in 3 seat depths by changing the length and type of the frame. This should be decided at the purchase.

Seat depth	Length of the frame	Type of the frame
330 mm	550 mm	Standard
380 mm	600 mm	Standard
420 mm	650 mm	Standard

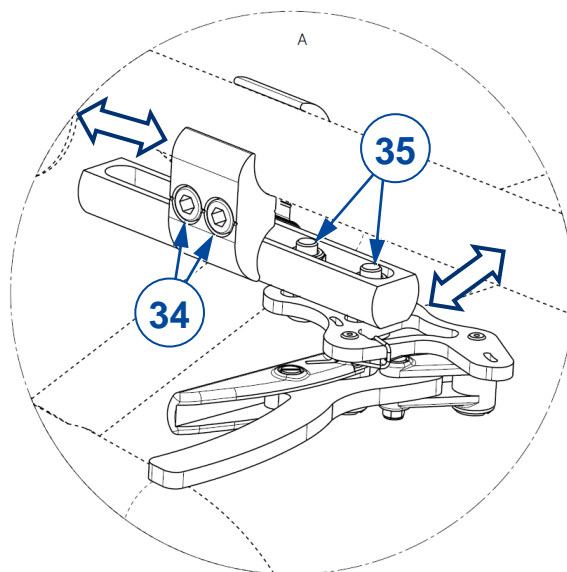
Table 3: Seat depth

As option there is also a long type of frame available for seat depths 440 mm and 460 mm with a 650 mm frame length. This long type of frame is **not** available for the Sagitta SI.

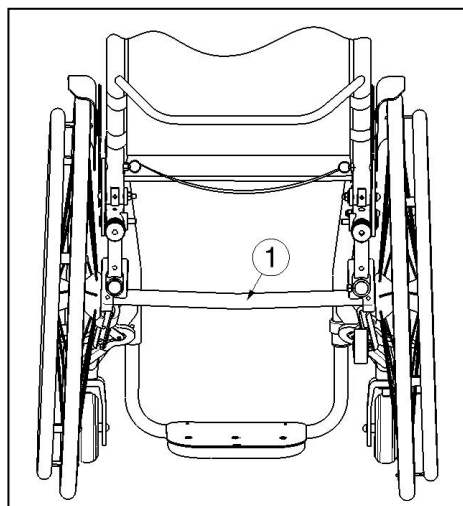
4.3 Adjusting the parking brakes

Depending on the diameter of the rear wheels and their position, the brakes can be adjusted accordingly. The following instructions apply to both the push-pull brakes and the sports brakes.

1. Release the brake, see user manual.
2. To move the brake forwards/backwards:
 - a. Loosen the two screws (34) connecting the brake to the frame.
 - b. Slide the brake forwards/backwards until the desired position (clamp over frame tube, or brake attachment tube in clamp).
3. To move the brake sideways:
 - a. Loosen the two screws (35) connecting the brake to the attachment tube.
 - b. Slide the brake sideways until the desired position.
4. Firmly retighten both screws.
5. Verify if the brake is working properly; the wheel is blocked, but the brake can still be operated easily. If this is not the case, repeat the steps above until the brake is adjusted well.
6. Repeat for the second parking brake. Make sure that both brakes are adjusted identically.



4.4 Adjusting the angle of the rear wheels



The angle of the rear wheels is adjustable in 5 sizes (0°, 2°, 4°, 6°, 8°) by changing the axle ① of the rear wheels.

4.5 Adjusting of the foot bracket

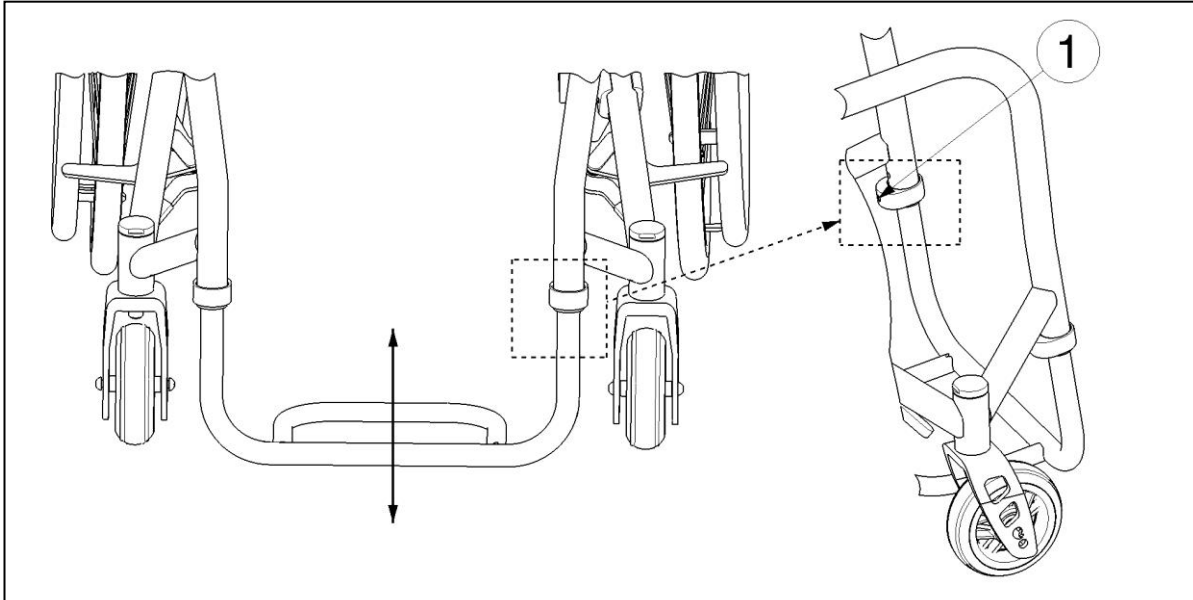
4.5.1 Length of the foot bracket

- ⚠ WARNING: Risk of injury – Make sure that before using the foot bracket the screws are tightened by hand.**
- ⚠ CAUTION: Risk of damage – Avoid that the foot bracket make any contact with the ground. Keep a minimum distance from 30 mm above the ground.**

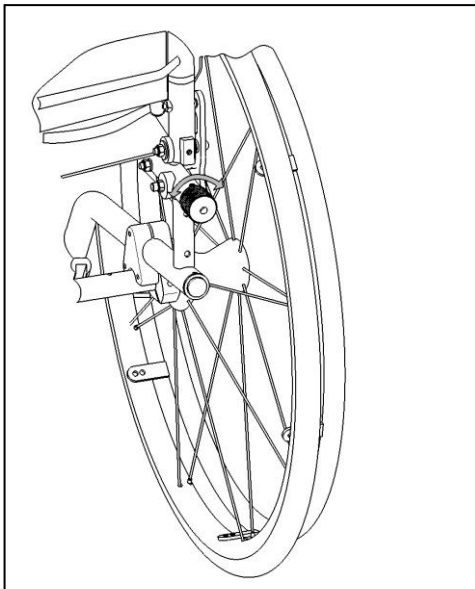
Adjust the length of the foot bracket as follows:

1. Loosen screw ① at the end of the foot support frame on the left and right side.
2. Adjust the length of the foot bracket to a comfortable length.
3. Tighten the screw ① on both sides by hand.

Do not switch the tubes of the foot bracket.



4.6 Back inclination



The tilt angle of the back is adjustable from -7° to 7° for each back tube separately.

Turn the button on the bottom of the back to the left, the back tube adjusted to the rear.

Turn the button on the bottom of the back to the right, the back tube moved forward.

Make sure that the two back tubes have a uniform slope.

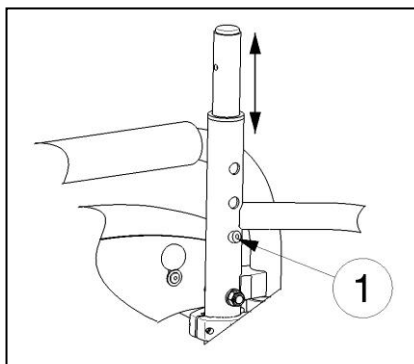
Adjust the angle of the back only when the back is unloaded.

4.7 Adjusting the back height

The back height of the Sagitta can be adjusted in 12 different combinations. Four by changing the frame and 3 by changing the position of the back tube.

Frame	Changing position of the back tube		
	Hole 1	Hole 2	Hole 3
1	230 mm	255 mm	280 mm
2	280 mm	305 mm	330 mm
3	330 mm	355 mm	380 mm
4	380 mm	405 mm	430 mm

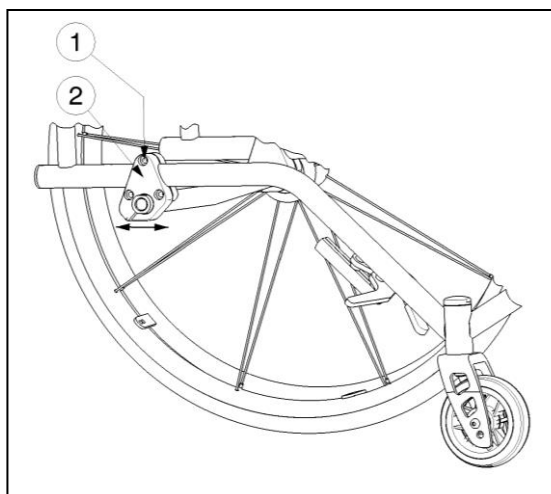
Table 4: Back height



1. Remove the back cushion.
2. Press on the button ① located on the back tube.
3. Move the back tube to the desired position (refer to table 4).
4. Check that button ① clicks back in the hole.

4.8 Adjusting the stability and the maneuverability

- ⚠ **WARNING: Risk of injury – Position of rear wheels may only be adjusted by your specialist dealer.**
- ⚠ **WARNING: Risk of injury – Be aware that these adjustments has influence on the stability of the wheelchair.**
- ⚠ **WARNING: Risk of injury – Be sure that there is no collision with the steering wheels.**
- ⚠ **WARNING: Risk of injury – Brake adjustment is necessary to adjust the position of the drive wheels.**



The stability and maneuverability can be adjusted by moving the axle block of the rear wheels ② more to the front or the back of the frame.

Adjust the stability and maneuverability according following steps:

1. Loosen the upper screw ① of the axle block.
2. Move the axle block ② in the desired position.
3. Retighten the screw ①.

4.9 Pneumatic tyre changing

 CAUTION Risk of injuries and damage

- Make sure all air is released from the tyre, before removing it.
- Make sure that no body parts, the inner tube nor any other objects are pinched between tyre and rim.
- Make sure all screws are firmly secured by hand before driving with the wheelchair.
- Make sure that the pressure is correct, see the pressure indication on the tyres.
- Inflate the tyre using inflating equipment which complies to regulations and with a pressure indication in “bar”.
- Only use replacement parts approved by Vermeiren.

If you want to change the tyres or inner tubes, you should note the following:

1. Let all the air out of the inner tube.
2. Insert a tyre lever between the tyre and the rim.
3. Slowly and gently push the tyre lever downwards. This will pull the tyre over the edge of the rim.
4. Then move the lever along the rim, the tyre will jump out.
5. Now carefully remove the tyre from the rim and then remove the tube.

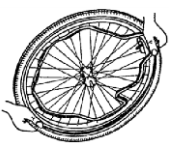
Note the following before inserting the new inner tube:

Check the rim bed and the inside wall of the tyre for foreign matter and clean these properly if necessary. Check the condition of the rim bed, especially around the position of the air valve.

Please use only genuine original replacement parts. We do not accept any liability for damage caused by non-genuine parts. Kindly contact your specialist dealer.



Place the rim belt in position over the air valve before inserting it into the rim. Then the rim belt can be pulled over easily. Check that all spoke heads are covered (a rim belt is not required in the case of a plastic rim).



Push the tyre over the edge of the rim, starting behind the air valve. Inflate the tube slightly until it is round, and place it inside the tyre.



If the tube fits snugly inside the tyre without any folds (in the case of folds: let out some air), then the upper side of the tyre can be pressed lightly onto the rim with both hands, starting at the air valve.

Check all around on both sides that the tube is not pinched between the rim and the edge of the tyre. Lightly push the air valve inwards and pull it out again to make sure that the tyre is positioned properly in the region of the air valve.

To ensure that the wheel inflated correctly, admit only so much air initially that the tyre can still be easily pushed inwards by using your thumbs. If the check-lines are equidistant from the edge of the rim on both sides of the tyre, then the tyre is centered properly. If not - let out the air and position the tyre afresh.

Now the tyre can be inflated to its full operating pressure (note the maximum!!) and the valve cap should be replaced.



Vermeiren GROUP
Vermeirenplein 1 / 15
2920 Kalmthout
BE

website: www.vermeiren.com

Instructions for specialist dealer

This instruction manual is part and parcel of the product and must accompany every product sold.

Version: B, 2024-02

Basic UDI: 5415174 122106Sagitta JD
5415174 122106Sagitta SI QS

All rights reserved, including translation.