

Installation manual

MANUEL D'INSTALLATION
INSTALLATIEHANDLEIDING
INSTALLATIONSANLEITUNG
MANUALE DI INSTALLAZIONE
MANUAL DE INSTALACIÓN
INSTRUKCJA INSTALACJI
PŘÍRUČKU PRO INSTALACI

Bayo Gemini 2



Contents

Preface	2
1 This product	3
2 Scope of delivery	4
3 Tools	4
4 Assembly and adjustments	5
4.1 Adjusting the wheelchair to the user.....	6
4.1.1 Seat depth.....	6
4.1.2 Footrest length (seat width 40).....	7
4.1.3 Foot supports (optional).....	7
4.1.4 Hip pelots.....	8
4.2 Changing pneumatic tyres.....	8

Preface

To support you on the installation and repairs of this wheelchair, this manual is offered. Please read it carefully. If you still have questions after reading this manual, do not hesitate to contact Vermeiren.

The information in this manual applies to all wheelchairs in the following list:

- Gemini 2
- Bayo

Pictures of the product are used to clarify the instructions. Details of the shown product may deviate from your product.

On our website <http://www.vermeiren.com/> you will always find the most recent version of the following information. Please consult this website regularly for possible updates.

Visually impaired people can download the electronic version of this manual and have it read out by means of a text-to-speech software application.



Instruction manual
For user and specialist dealer



Installation instructions (Instructions for detail adjustments)
For specialist dealer



Torque table (maximum torques for bolts and nuts)
For specialist dealer



Service manual for wheelchairs
For specialist dealer



Drawings of (spare) parts
For specialist dealer

1 This product



Gemini 2

1. Push bar
2. Backrests
3. Safety belt
4. Seat
5. Footrest
6. Footplate
7. Steering wheels (front wheels)
8. Driving wheels (rear wheels)
9. Brake
10. Frame
11. Location identification plate



Bayo

1. Backrest
2. Head pelots
3. Backrest pelots
4. Armrests
5. Hip pelots
6. Abduction wedge
7. Seat
8. Footrest
9. Foot supports
10. Footplate
11. Wheels + brakes
12. Lower frame
13. Identification plate



2 Scope of delivery

The following items are part of the delivery.

- Frame including wheels, backrest and seat, footrest, central brake
- Tools
- Manual
- Accessories

Please note that the basic configuration may differ in different European countries. Contact your specialist dealer.

3 Tools

To repair and adjust the wheelchair, the following tools are needed:

- Wrench set no. 10
- Allen keyset no. 4

4 Assembly and adjustments

**CAUTION**

Risk of injuries or damage

- The wheelchair needs to be adjusted by a specialist dealer according to the instructions in this manual.
- Any modification to the product will lapse the warranty and will cease the responsibility of Vermeiren.
- Only use parts and tools described in this manual.
- Prevent bystanders from accessing the working area.
- While adjusting and operating the wheelchair, make sure no objects or body parts get caught between moving parts.
- Only use the settings described in this manual.
- Make sure that the adjustment on left and right side of the wheelchair are the same.
- Deviation of the adjustment settings may influence the stability of the wheelchair with risk of tilting and falling.
- **Make sure all screws are firmly secured before riding the wheelchair. Adhere to the tightening torques for screws according to the Torque table on our website.**

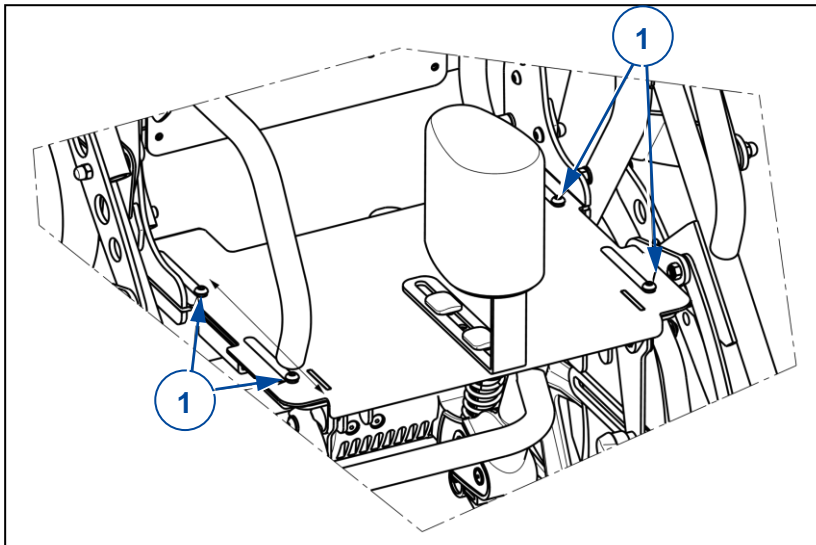
**Important remark**

- Read the user manual of this wheelchair.
- Be aware of the technical details and limits of intended use; see the user manual.
- For more information, contact Vermeiren. See the website <http://www.vermeiren.com/>.

4.1 Adjusting the wheelchair to the user

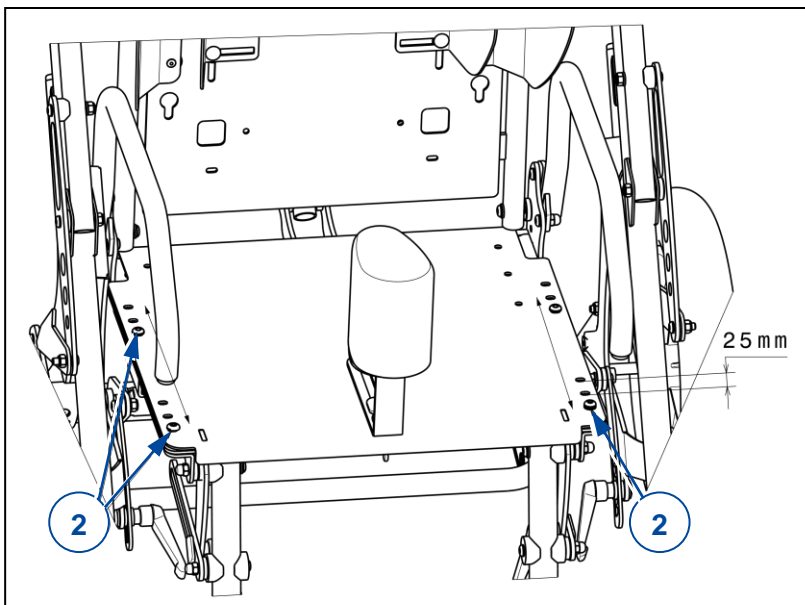
4.1.1 Seat depth

Seat width 32



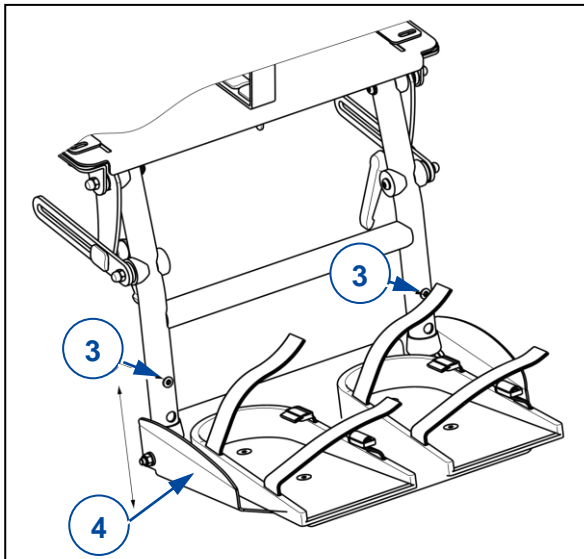
1. Loosen the four bolts (1) on both sides of the seating plate.
2. Slide the seating plate to the front/back to the desired position (60 mm range, stepless).
3. Tighten both screws.

Seat width 40



1. Loosen the four bolts (2) on both sides of the seating plate.
2. Slide the seating plate to the front/back to the desired position (3 positions, steps of 25 mm).
3. Tighten both screws.

4.1.2 Footrest length (seat width 40)

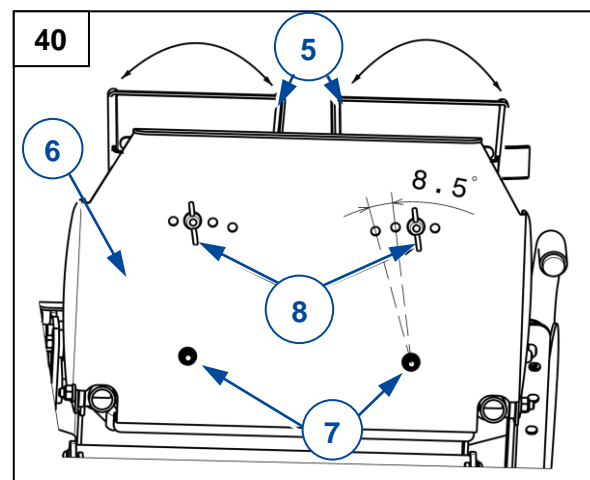
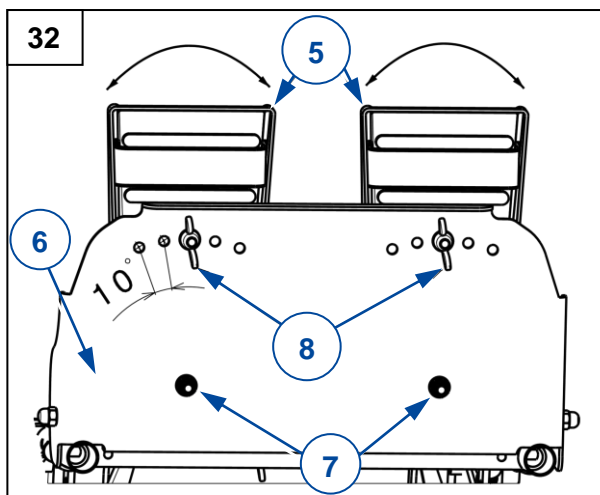


The footrest can be changed in 2 different lengths (steps 35 mm: outer tube) and 4 different lengths (steps of 25 mm: inner tube).

Adjustments are made as follows:

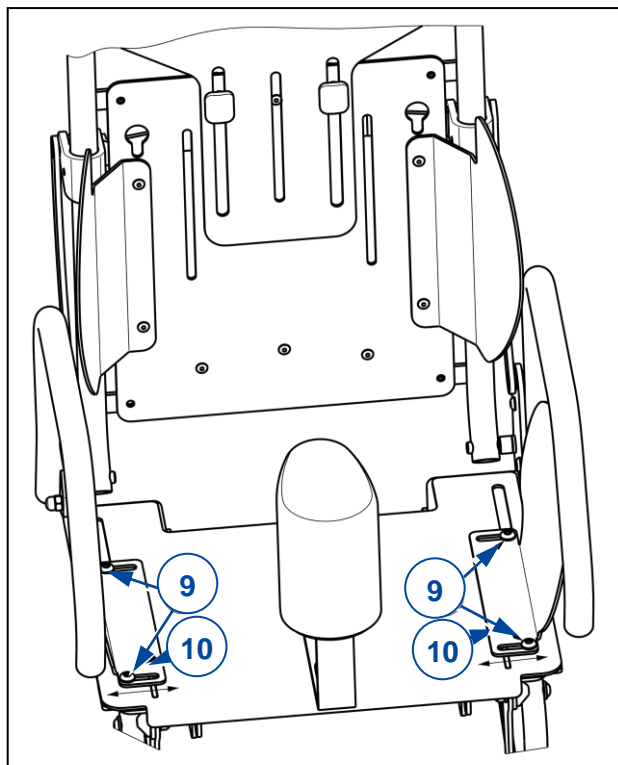
1. Loosen the screws (3) on both sides.
2. Move the footplate (4) up/down until the desired length.
3. Retighten the two screws (3).
4. Make sure that the footplate is firmly fixated.

4.1.3 Foot supports (optional)



1. Place the foot supports (5) on the footplate (6).
2. Place the screw-nut connections (7) and tighten by hand.
3. Place the wingnuts (8) and tighten firmly.

4.1.4 Hip pelots



To adjust the width:

1. Loosen the two screws (9).
2. Move the hip pelot (10) outwards or inwards until the desired width (range 18,8 mm, stepless).
3. Retighten the two screws (9).
4. Check that the pelot (10) is well fixated.
5. Repeat for the other pelot.

4.2 Changing pneumatic tyres



CAUTION

Risk of injuries and damage

- Make sure all air is released from the tyre, before removing it.
- Make sure that no body parts, the inner tube nor any other objects are pinched between tyre and rim.
- Make sure all screws are firmly secured by hand before driving with the wheelchair.
- Make sure that the pressure is correct, see the pressure indication on the tyres.
- Inflate the tyre using inflating equipment which complies to regulations and with a pressure indication in "bar".
- Only use replacement parts approved by Vermeiren.

To change the tyre or inner tube, proceed as follows:

1. Let all the air out of the inner tube.
2. Insert a tyre lever between the tyre and the rim.
3. Gently push the tyre lever downwards. This will pull the tyre over the edge of the rim.
4. Move the lever along the rim so the tyre pops out.
5. Carefully remove the tyre from the rim and remove the tube.

Before replacing the tyre, check the rim bed and the inside wall of the tyre for foreign matter and clean these properly if necessary. Check the condition of the rim bed, especially around the position of the air valve.

Please use only genuine original replacement parts. We do not accept any liability for damage caused by non-genuine parts. Kindly contact your specialist dealer.



Place the rim belt in position over the air valve before inserting it into the rim. The rim belt can now be pulled over easily. Check that all spoke heads are covered (a rim belt is not required in the case of a plastic rim).



Push the tyre over the edge of the rim, starting behind the air valve. Inflate the tube slightly until it is round, and place it inside the tyre.



If the tube fits inside the tyre without any folds (in case of folds: let out some air), then the upper side of the tyre can be pressed lightly onto the rim with both hands, starting at the air valve. Lightly push the air valve inwards and pull it out again to make sure that the tyre is positioned properly in the region of the air valve.

Check all around on both sides that the tube is not pinched between the rim and the edge of the tyre. Lightly push the air valve inwards and pull it out again to make sure that the tyre is positioned properly in the region of the air valve.

To ensure that the wheel inflated correctly, admit only so much air initially that the tyre can still be easily pushed inwards by using your thumbs. If the check-lines are equidistant from the edge of the rim on both sides of the tyre, then the tyre is centred properly. If not - let out the air and position the tyre afresh.

Now the tyre can be inflated to its full operating pressure (note the maximum!!) and the valve cap should be replaced.



Vermeiren GROUP
Vermeirenplein 1 / 15
2920 Kalmthout
BE

website: www.vermeiren.com

Instructions for specialist dealer

This instruction manual is part and parcel of the product and must accompany every product sold.

Version: B, 2022-12

Basic UDI: 5415174 180999Bayo Z7

All rights reserved, including translation.