

# VERMEIREN

Bayo

INSTRUCTION MANUAL





## **Instructions to the specialist dealer**

This instruction manual is part and parcel of the product and must accompany every product sold.

Version: B, 2014-04

All rights reserved, including translation.

No part of this manual may be reproduced in any form what so ever (print, photocopy, microfilm or any other process) without written permission of the publisher, or processed, duplicated or distributed by using electronic systems.

© N.V. Vermeiren N.V. 2014



## Contents

<b>Preface</b> .....	<b>2</b>
<b>1 Product description</b> .....	<b>3</b>
1.1 Intended Use.....	3
1.2 Technical specifications .....	4
1.3 Components.....	5
1.4 Accessories.....	6
1.5 Explanation of symbols .....	6
1.6 Safety rules .....	6
<b>2 Use</b> .....	<b>6</b>
2.1 Carrying the chair.....	7
2.2 Assembly / disassembly of the children chair .....	7
2.3 Operating the brakes.....	7
2.4 Abduction Wedge (B22).....	8
2.5 Safety belts .....	9
2.6 Transfer in and out the adaptable children chair .....	9
2.7 Correct position in the chair .....	9
2.8 Use of the adaptable children chair .....	10
2.9 Transport in the car.....	10
<b>3 Installation and adjustment</b> .....	<b>10</b>
3.1 Tools .....	10
3.2 Manner of delivery .....	11
3.3 Adjusting the seat depth Bayo 32.....	11
3.4 Adjusting the seat depth Bayo 40.....	12
3.5 Footrest Bayo (Seat width 32).....	12
3.6 Footrest Bayo (Seat width 40).....	14
3.7 Backrest.....	16
3.8 Mounting the seatframe.....	19
3.9 Armrests .....	21
3.10 Side supports (Pelots).....	22
<b>4 Maintenance</b> .....	<b>24</b>
4.1 Regular Maintenance.....	24
4.2 Shipping and storage .....	25
4.3 Care .....	25
4.4 Inspection .....	26
4.5 Disinfection .....	26
<b>5 Guarantee</b> .....	<b>28</b>
<b>6 Disposal</b> .....	<b>28</b>
<b>7 Declaration of conformity</b> .....	<b>28</b>
<b>8 Maintenance plan</b> .....	<b>29</b>
<b>9 Disinfection book</b> .....	<b>29</b>



## **Preface**

First of all we want to thank you for putting your trust in us by selecting one of our chairs.

The Vermeiren chairs are the result of many years of research and experience. During the development, special attention was given to the ease of use and the serviceability of the chair.

The expected lifetime of your chair is strongly influenced by the care and maintenance of the chair.

This manual will help you get acquainted with the operation of your chair.

Following the user instructions and the maintenance instructions are an essential part of the warranty.

This manual reflects the latest product developments. Vermeiren has the right to introduce changes without the obligation to adapt or replace previously delivered models.

For any further questions, please consult your specialist dealer.

# 1 Product description

## 1.1 *Intended Use*

The adaptable children chair is intended for children with a disability or movement dysfunction through brain damage.

The adaptable children chair is designed as a comfortably seat for 1 child.

The adaptable children chair is only for indoor use in combination with a supervisor.

The modular construction allows to choose the optimal design in specific need to your child. Together with a variety of colors for the frame will this chair ensure a physical and mental happiness for your child.

When providing for individual requirements:

- body size and weight
- physical and psychological condition
- residential circumstances
- environment

should be taken into consideration.

Your chair should only be used on surfaces where all four wheels are touching the ground and where there is sufficient contact to propel the wheels equally.

The chair should not be used as a ladder, nor is it a transport for heavy or hot objects.

When used on mats, carpeted floors or loose floor coverings, the floor covering can get damaged.

Use only Vermeiren approved accessories.

The manufacturer is not liable for damage caused by the lack of or improper service or as a result of not following instructions from this manual.

Compliance with the user and maintenance instructions are an essential part of the guarantee conditions.

## 1.2 Technical specifications

Technical terms below are valid for the chair in standard settings and without upholstery. If other footrests or other accessories are used, the tabulated values will change.


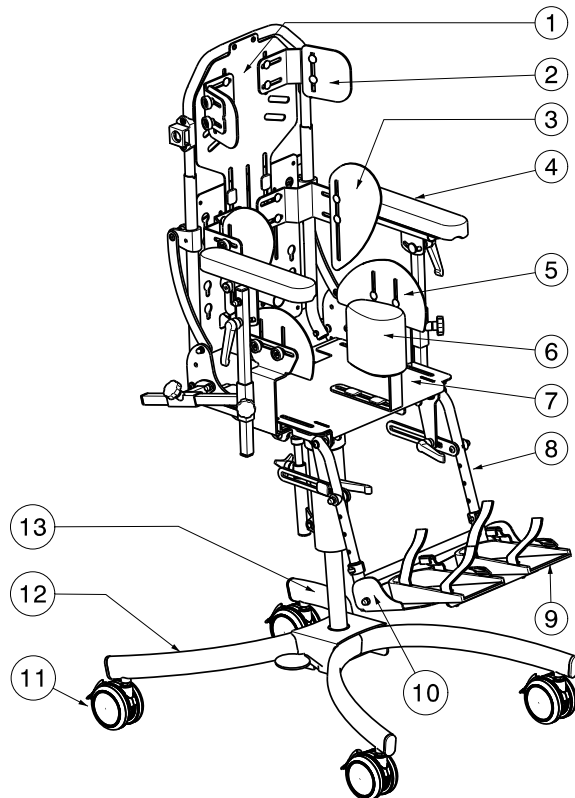
<b>Make</b>	Vermeiren		
<b>Address</b>	Vermeirenplein 1/15, B-2920 Kalmthout		
<b>Type</b>	Adaptable children chair		
<b>Model</b>	Bayo		
<b>Description</b>	<b>Bayo 32</b>	<b>Bayo 40</b>	
<b>Maximum occupant mass</b>	<b>35 kg</b>	<b>50 kg</b>	
Effective seat width	320 mm	400 mm	
Overall width (depends on the model)	490 mm	560 mm	
Overall length (footrest open, backrest in laying position)	1050 mm	1230 mm	
Overall length (footrest open, backrest in seating position)	840 mm	840 mm	
Overall length (footrest closed, backrest in seating position)	700 mm	700 mm	
Folded length (backrest folded)	700 mm	700 mm	
Folded width (backrest folded)	490 mm	490 mm	
Folded height (backrest folded, seat height lowest position)	850 mm	915 mm	
Height lower frame	450 mm	450 mm	
Total height (backrest, seat height lowest position)	1030 mm	1270 mm	
Total mass	± 19,5 kg	± 25 kg	
Mass of heaviest part	± 9,30 kg	± 14,8 kg	
Masses of parts that can be dismantled or removed	<b>Lower frame: 8,35 kg; Armrests: 1,85 kg</b>	<b>Lower frame: 8,35 kg Armrests: 1,85 kg</b>	
Seat plane angle	-13° - +25°	-13° - +25°	
Effective seat depth	280 - 340 mm	360 - 410 mm	
Seat surface height at front edge	470 - 610 mm (Without cushions)	470 - 610 mm (Without cushions)	
Backrest angle	45°	45°	
Backrest height	520 – 640 mm	650 – 780 mm	
Distance between footrest and seat	250 mm - 340 mm	315 – 400 mm	
Angle between seat and footrest	2,5° - 85,5°	3° - 88°	
Angle foot supports	-17° - +23°	-11,5° - +14°	
Distance between armrest and seat	130 mm - 300 mm	130 - 300 mm	
Front location of armrest structure	280 - 340 mm	360 - 420 mm	
Angle armpad	-28° - +28°	-28° - +28°	
Horizontal location of axle (deflection)	230 mm	150 mm	
Minimum turning diameter	774 mm	936 mm	
Diameter wheels	75 mm x 50 mm		
Change the direction of the seat	Yes	Yes	
Storage and use temperature	+ 5 °C	+ 41 °C	
Storage and use humidity	30%	70%	
<b>We reserve the right to introduce technical changes. Measurement tolerance ± 15 mm / 1,5 kg / °</b>			

Table 1: Technical specifications Bayo

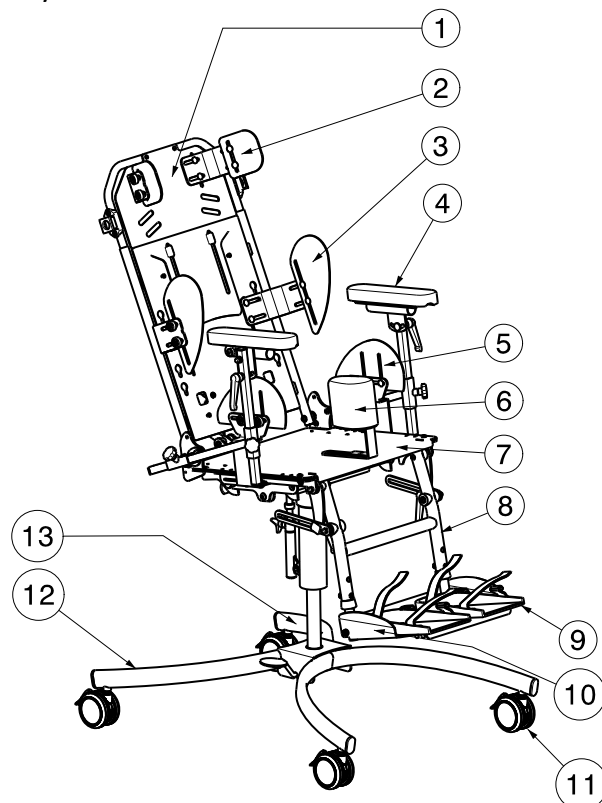
### 1.3 Components

Bayo 32



- 1 = Backrest
- 2 = Head pelots
- 3 = Backrest pelots
- 4 = Armrests
- 5 = Hip pelots
- 6 = Abduction wedge
- 7 = Seat
- 8 = Footrest
- 9 = Foot supports
- 10 = Footplate
- 11 = Wheels + brakes
- 12 = Lower frame
- 13 = Identification plate

Bayo 40



- 1 = Backrest
- 2 = Head pelots
- 3 = Backrest pelots
- 4 = Armrests
- 5 = Hip pelots
- 6 = Abduction wedge
- 7 = Seat
- 8 = Footrest
- 9 = Foot supports
- 10 = Footplate
- 11 = Wheels + brakes
- 12 = Lower frame
- 13 = Identification plate

## 1.4 Accessories

The following accessories are available for the Bayo:

- **Table**
- **Barrier**
- **Safety belts**

We offer a wide range of interesting and useful additional elements for the Bayo, which will increase the comfort and usefulness of the Bayo. Please refer to your local dealer for more information on the available options.

## 1.5 Explanation of symbols



Maximum mass



CE conformity



Type designation

## 1.6 Safety rules

- ⚠ The brakes should be applied before getting into and out the adaptable children chair.
- ⚠ When getting into and out the chair, do not stand on the footplate. These should be folded up beforehand.
- ⚠ If you want to pick up something (lying in front of, on the side, or to the rear of the chair), you should not lean too far out to avoid tipping over.
- ⚠ When moving through doors, arches, etc. ensure that there is enough room at the sides so that you do not get your hands or arms caught or crushed and that there is no damage to the children chair.
- ⚠ Only use your chair according to regulations. For example, avoid uncontrolled rolling against obstacles (doorframes, etc) or dropping down from ledges. The manufacturer cannot assume liability for damage caused by overloading, collision or other improper use.
- ⚠ Do not take stairs, any obstacles when the child is seated in the chair.
- ⚠ When transporting the children chair, never pick it up by grasping movable parts (footrest, armrests, etc.).
- ⚠ Be careful when using possible causes of fire such as cigarettes since they may set the seat and back covers alight.
- ⚠ Never exceed the maximum load.
- ⚠ Only use a Bayo chair which has been adjusted to the weight and length of the child.
- ⚠ The person who operates the adaptable children chair must be aware of the responsibility of his actions concerning the correct usage of the Bayo.
- ⚠ Use the adaptable children chair only on flat horizontal underground. Check that the chair is not placed on up or down gradients or on laterally sloping ground or any other obstacles.

## 2 Use

This chapter describes the everyday use. **These instructions are for the user and the specialist dealer.**

The chair is delivered fully assembled by your specialist dealer. The instructions intended for the specialist dealer on how to set up the children chair are given in § 3.



## 2.1 Carrying the chair

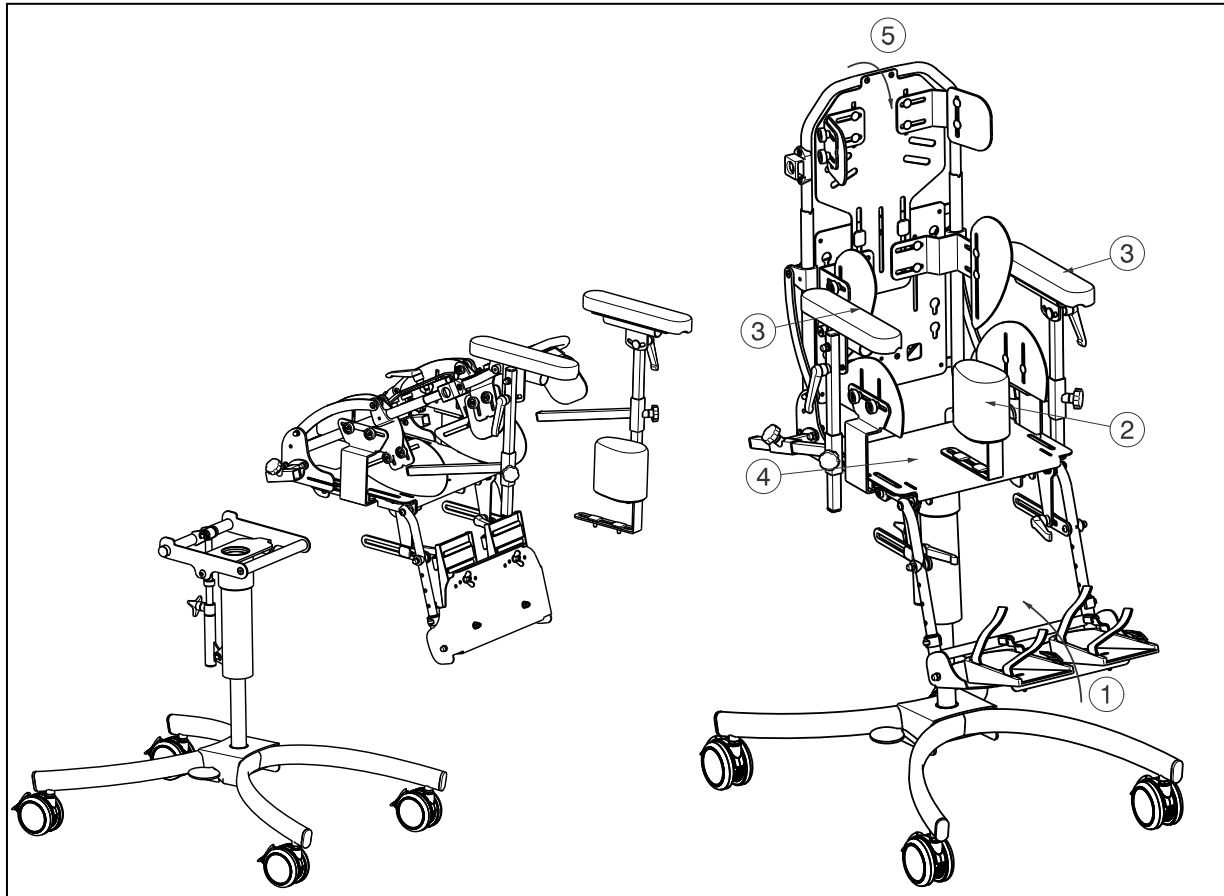
The best way to carry the children chair is to make use of the wheels and roll the chair.

If this is not possible, firmly grasp the frame on the front and rear. Do not use the footrest to grasp the chair.

Also is it possible to remove the seat frame from the lower frame for an easy transport.

## 2.2 Assembly / disassembly of the children chair

**⚠ CAUTION:** Risk of clamping – Keep fingers away from moving parts of the chair.



### Assembly

1. Mount the seat frame on the lower frame.
2. Unfold the backrest to the rear.
3. Mount the abduction wedge.
4. Mount the armrests.
5. Unfold the footplate.

### Disassembly

1. Fold the footplate.
2. Remove the abduction wedge.
3. Remove the armrests.
4. Remove the seat frame from the lower frame.
5. Fold the backrest to the front.

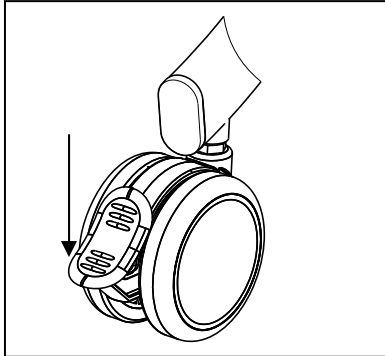
## 2.3 Operating the brakes

**⚠ WARNING:** Risk of injury – Lock all four wheels in place to put the children chair in a parking position.

**⚠ WARNING:** The brakes are not used to slow down the chair during movements – Use the brakes only to prevent the children chair from unintended movements.

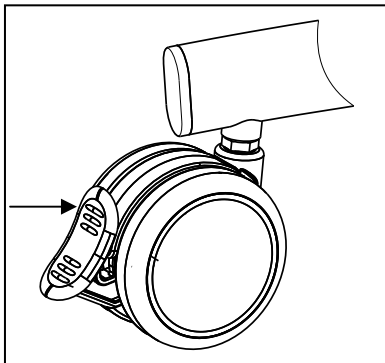
- ⚠ **WARNING:** Good operation of the brake is influenced by wear and contamination of the wheels (water, oil, mud, ...) – Check the condition of the wheels before each use.
- ⚠ **WARNING:** The brakes can wear – Check the operation of the brakes before each use.
- ⚠ **CAUTION:** Risk of unintended movement – Make sure the children chair is on a flat horizontal surface before releasing the brakes.

The attendant (parent) of the child is responsible for the correct usage of the brakes.



### 1 Engaging the parking brakes

With your foot, press the black brake plate of the four wheels downwards till it locks in place. The wheels cannot roll.



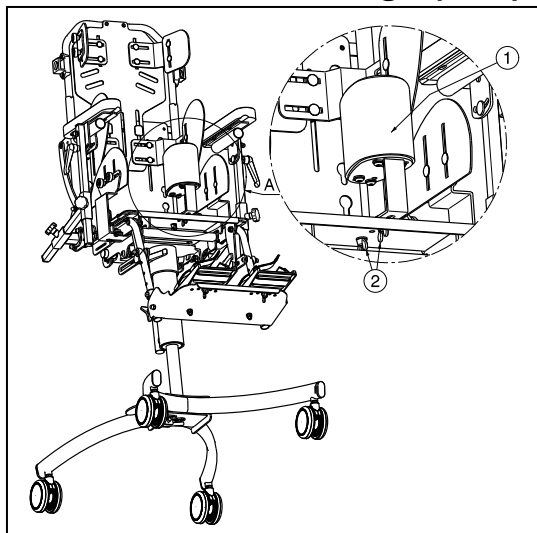
### 2 Disengaging the parking brakes

With your foot, press the black brake plate of the four wheels in the direction of the frame. The wheels have now been released and can both roll and swivel.

If the brake have lost their effectiveness because of wear and tear and/or damage to the wheels, we advise you to consult your specialist dealer to renovate the system, since he has suitable tools and knowledge.

Improper maintenance or the use of unsuitable tools might cause damage and/or loss of function.

## 2.4 **Abduction Wedge (B22)**



By default, an abduction wedge ①, covered with textile, is mounted on the seating element. It will prevent your child from sliding out of the chair. The abduction wedge has been mounted with two wing nuts ②. It can easily be adjusted by loosening/tightening the wing nuts ②.

The usage of the wedge depends on the physical and mental condition of your child.

## 2.5 Safety belts

**⚠ WARNING: Risk of injury – Make sure all the safety belts are locked into place before using the Bayo chair.**

Every Bayo has been equipped with adjustable belt to the purpose of a correct and safe seating position. These belts have an adjustable length and are mounted to the seating frame. The ends are connected to each other by means of a central lock.

After applying the safety belts to your child, you need to hear an audible clicking sound to make sure the belts are locked into place. Push the buttons on the locks to release them again. The belts can only be adjusted after the locks are into place.

### **Adjusting the safety belts**

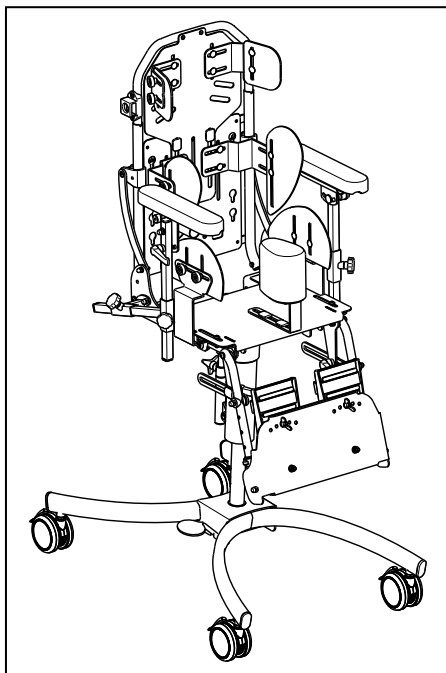
Adjusting the length of each belt is done individually by shortening or extending the length of each belt by means of the buckles.

The connection points of the belts on the plate of the back support can be located in different positions depending on the size of your child. To do so, the shoulder belts need to go through the oval openings in the back support and retightened again.

**The correct procedure of adjusting the length of the safety belts and the power by which they are drawn will influence the safety and driving comfort of your child.**

In case of questions regarding the locking and safety systems, please refer to our dealers.

## 2.6 Transfer in and out the adaptable children chair



**⚠ CAUTION: Risk of tipping over of the chair – Do not stand on the footplate.**

1. Position the chair as close as possible to the chair, couch or bed to/from you wish to transfer.
2. Check the four brakes from the chair are activated.
3. Fold the footplate upwards to prevent standing on them.
4. Transfer the child to/from the adaptable children chair.

## 2.7 Correct position in the chair

Some recommendations for a comfortable use of the chair:

- Position your backside as close as possible to the backrest.
- Make sure your upper legs are horizontal – If needed adjust the length of the footrest. (see § 3.5.2 and 3.6.2)

## 2.8 Use of the adaptable children chair

- ⚠ **WARNING:** Risk of clamping – Be careful passing through restricted passages (e.g. doors).
  - ⚠ **WARNING:** Risk of burns – Be careful when using in hot or cold environments (sunshine, extreme cold, saunas, etc.) for a sufficient amount of time and when touching - Surfaces can assume the environment temperatures.
1. Release the brakes.
  2. Roll the chair to the desired location.
  3. Activate the four brakes.
  4. Adjust the chair to the best comfort for the child.
  5. Place the child in the chair.

## 2.9 Transport in the car

- ⚠ **WARNING:** Risk of injury – See that the chair is attached properly. So you can avoid injury from the passengers during collision or sudden braking.
- ⚠ **WARNING:** Risk of injury – Use for attaching the chair and passenger NEVER the same seatbelt.

To transport the chair in the car use following steps:

1. Remove accessories (armrest, abduction wedge, ...).
2. Store accessories safely.
3. Fold up the footplate and backrest.
4. Remove the seat frame from the lower frame.
5. Place the chair in the luggage place.
6. If the chair and the passenger compartment is NOT separated, attach the frame of the chair securely to the vehicle. You can use the available safety belts in the vehicle.

## 3 Installation and adjustment

The instructions in this chapter are for the specialist dealer and the user.

The Vermeiren children chair Bayo has been designed entirely for the comfort of your child.

To find a service facility or specialist dealer near you, contact the nearest Vermeiren facility. A list of Vermeiren facilities can be found on the last page.

- ⚠ **WARNING:** Risk of unsafe settings - Use only the settings described in this manual.
- ⚠ **WARNING:** Variation of allowed adjustments can still change the stability of your chair (tilt back or sideways).

### 3.1 Tools

To set up the Bayo the following tools are needed.

- Wrench set n° 10
- Allen key set n° 4

### 3.2 Manner of delivery

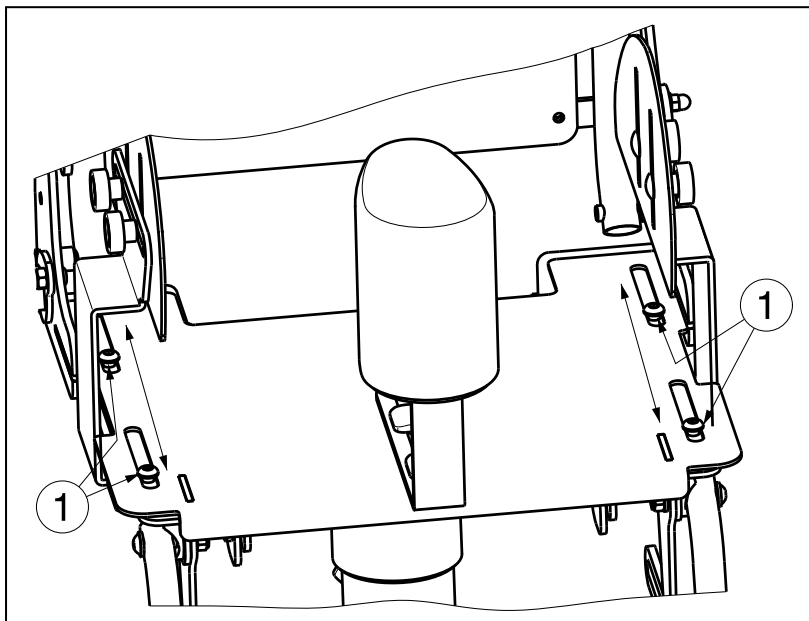
The Vermeiren Bayo shall be delivered with:

- lower frame
- wheels with brakes
- footrests with adjustable inclination and length, foot supports with velcro straps
- backrest inclinable and adjustable in height
- removable seat with adjustable inclination and depth
- side supports (pelots)
- wedge (B22)
- safety belts
- tools
- manual
- accessories (optional)

Before use check if everything is included and that no products are damaged (example by transport, ...).

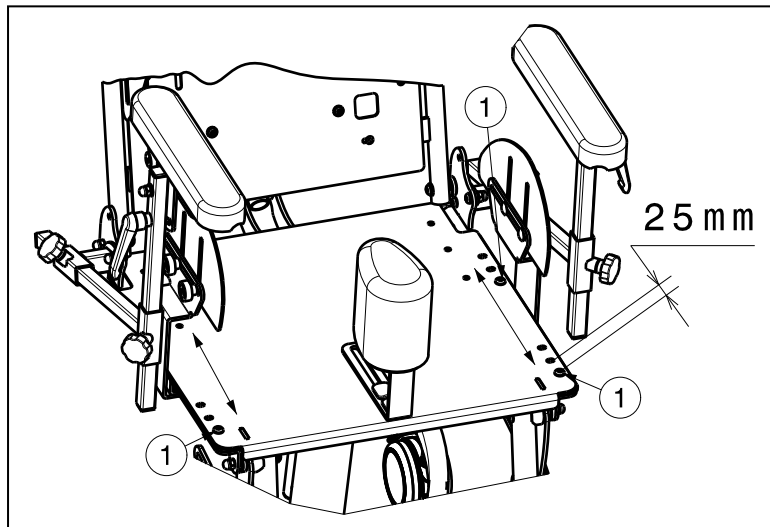
When delivered, your product has been set to be used in proper conditions. Only the length of the footrest, the ideal inclination of the backrest and seat need to be adjusted to your own specifications (follow the instructions in this manual).

### 3.3 Adjusting the seat depth Bayo 32



The function to alter the seat depth can be used after loosening the bolts (M6) ① on the seating plate (The needed tools are included in the package) and sliding the full segment into the desired position. The range of the adjustment is about 60 mm (stepless), which, in combination with the range of other adjustments of the Bayo, allows a wide variety of adjustments.

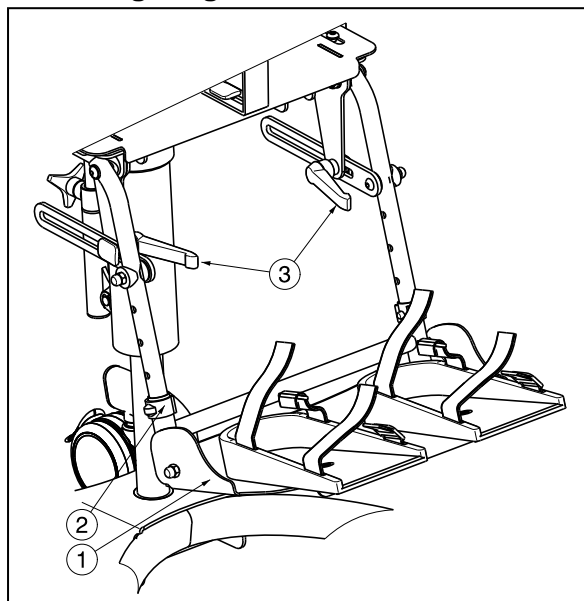
### 3.4 Adjusting the seat depth Bayo 40



The function to alter the seat depth can be used after loosening the bolts (M6) ① on the seating plate (The needed tools are included in the package) and sliding the full segment into the desired position. Three different positions: steps of 25 mm, which, in combination with the range of other adjustments of the Bayo, allows a wide variety of adjustments.

### 3.5 Footrest Bayo (Seat width 32)

- ⚠ **WARNING:** Risk of injury – Check that the footrest is securely locked in place before use.
- ⚠ **WARNING:** Risk of injury, stability – Check the position of the adjustment knobs every time to prevent that they would be in a position that would endanger the user.
- ⚠ **WARNING:** Risk of injury, stability – Never stand on the footplate with your full body weight.
- ⚠ **CAUTION:** Risk of clamping – Keep objects and people away from the footrest swing range.



The footrest consists out of:

1. A foldable footplate
2. Undercarriage with blocking pins
3. Hinged upperparts with regulating strips

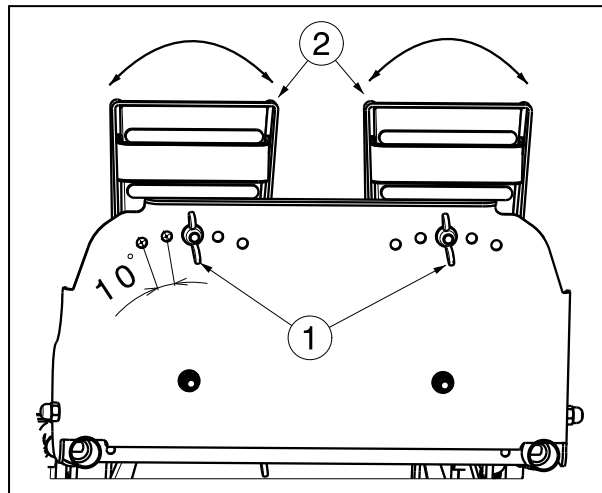
The footrest segment is connected to the seat module through a plate, which acts as a seat depth regulator. This design allows your child to put its legs in any desired position.

### 3.5.1 Positions of the footplate

By default the footplate is in a horizontal position.

With the emphasis on transport and rehabilitation and getting out of the Bayo, the footplate must be turned into the direction of the undercarriage of the footrest.

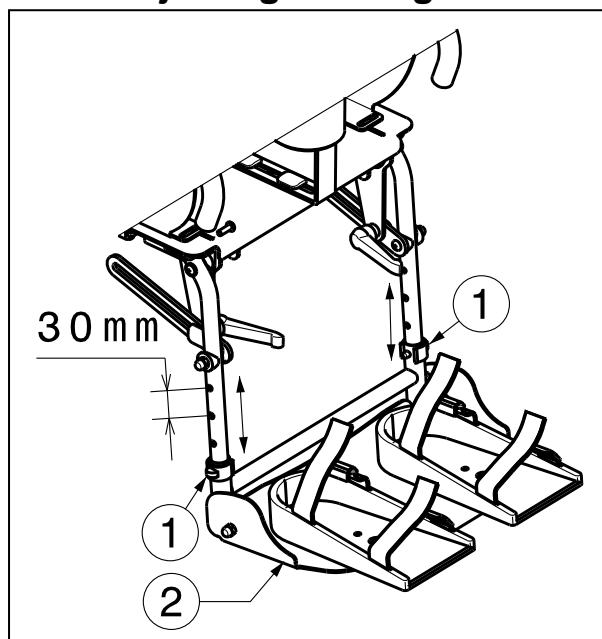
The footplate has been equipped with plastic foot supports to prevent uncontrollable sliding of the feet. As additional security, foot belts (B19) have been implemented.



The angle of the foot supports ② can be adjusted in 5 different positions (steps: 10°)

1. Loosen the wing nuts ①.
2. Turn the foot supports ② in the desired position.
3. Retighten the wing nuts ①.
4. Check the foot supports are firmly fixated.

### 3.5.2 Adjusting the length of the footrest

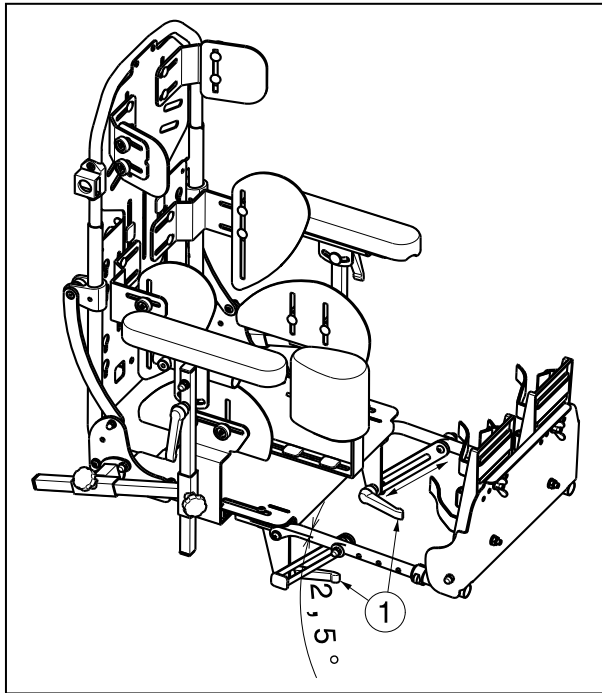


Due to the super design of the Bayo, the footrest can be set into 4 different lengths: 250 – 280 – 310 - 340 mm (steps: 30 mm).

Adjust them as follows:

1. Retract both blocking pins ①.
2. Adjust the undercarriage of the footplate ② into the desired position.
3. Block the undercarriage again with the blocking pins ①.
4. Check the footplate is firmly fixated.

### 3.5.3 Adjusting the inclination of the footrest



The adjustment of the inclination of the footrest (range 83°: stepless), in combination with other adjustments, will increase the possible positions of the Bayo. Adjust them as follows:

1. Turn both levers ① from the regulator strips loose.
2. Adjust to optimal inclination for the footrest.
3. Retighten both levers ① again.
4. Check the footrest is firmly fixated.

For a correct adjustment of the footrest, turn to your specialist dealer who will support you with professional advice and technical support. In case the disorder of your child makes the correct adjustment of the footrest difficult, turn to your specialist dealer who will find a suitable and proper solution.

### 3.6 Footrest Bayo (Seat width 40)

- ⚠ **WARNING:** Risk of injury – Check that the footrest is securely locked in place before use.
- ⚠ **WARNING:** Risk of injury – Check the screw connections are secured before using the footrest.
- ⚠ **WARNING:** Risk of injury, stability – Check the position of the adjustment knobs every time to prevent that they would be in a position that would endanger the user.
- ⚠ **WARNING:** Risk of injury, stability – Never stand on the footplate with your full body weight.
- ⚠ **CAUTION:** Risk of clamping – Keep objects and people away from the footrest swing range.

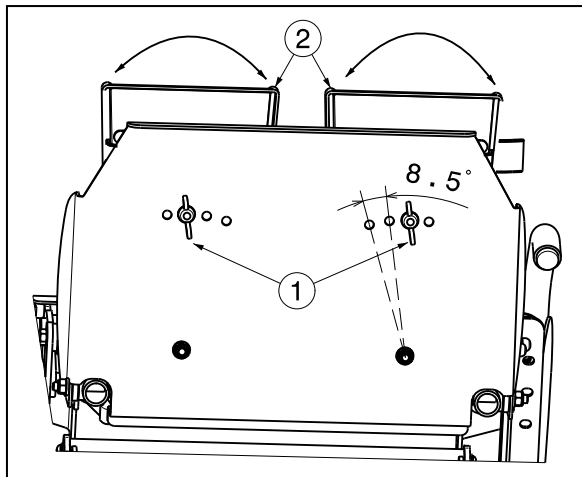
#### 3.6.1 Positions of the footplate

By default the footplate is in a horizontal position.

With the emphasis on transport and rehabilitation and getting out of the Bayo, the footplate must be turned into the direction of the undercarriage of the footrest.

The footplate has been equipped with plastic foot supports to prevent uncontrollable sliding of the feet. As additional security, foot belts (B19) have been implemented.

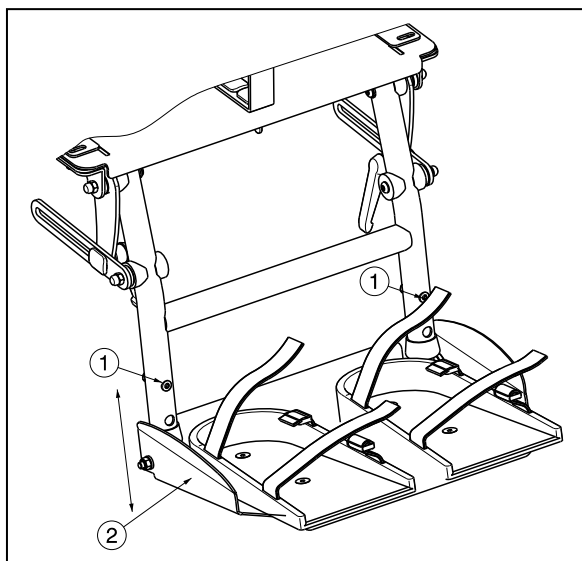




The angle of the foot supports ② can be adjusted in 4 different positions (steps: 8,5°)

1. Loosen the wing nuts ①.
2. Turn the foot supports ② in the desired position.
3. Retighten the wing nuts ①.
4. Check the foot supports are firmly fixated.

### 3.6.2 Adjusting the length of the footrest

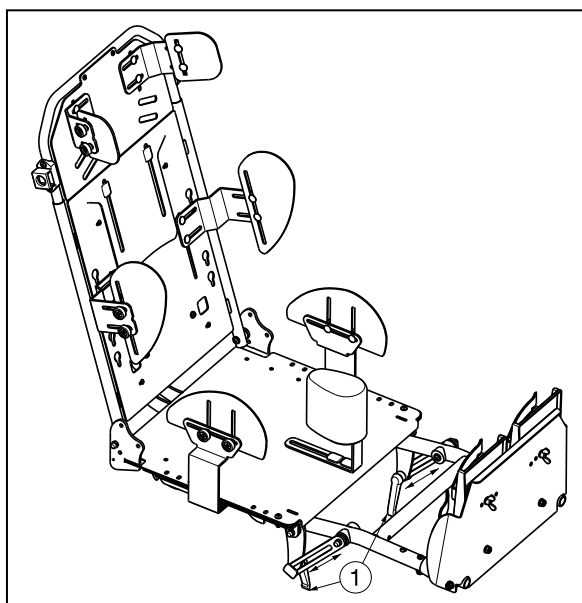


The design of Bayo 40 provides a gradual change in the length of the footrest. The footrest of the Bayo 40 can be changed in 2 different lengths (steps 35 mm: outer tube) and 4 different lengths (steps of 25 mm: inner tube).

Adjustments are made as follows:

1. Loosen the screws ① on both sides.
2. Move the footplate ② up- or downwards until the desired length.
3. Retighten the two screws ① again.
4. Check the footplate is firmly fixated.

### 3.6.3 Adjusting the inclination of the footrest



Changing the angle of the footrest can be in the range of 85°.

Adjust them as follows:

1. Turn both levers ① from the regulator strips loose.
2. Adjust to optimal inclination for the footrest.
3. Retighten both levers ① again.
4. Check the footrest is firmly fixated.

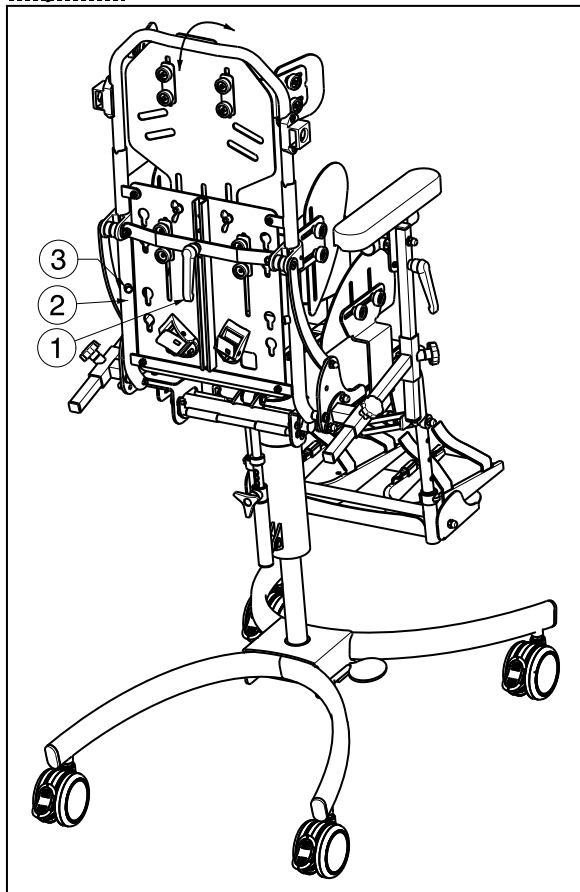
### 3.7 Backrest

**⚠ WARNING: Risk of injury – Check the backrest is well fixated.**

The Bayo has been equipped with a backrest with adjustable inclination and adjustable height. In combination with the adjustable seat and footrest will the Bayo provide optimal settings for your child.

#### 3.7.1 Adjusting the inclination of the backrest

Bayo 32:



1. Loosen the lever ① located on the rear side of the backrest.
2. Push or pull the backrest tubes in the desired position (from folded position --> easy for transport) to laying position: 0° - 45°. The laying position has been secured with limiters ③.
3. Retighten the lever ①.
4. Check that the backrest ② is well fixated.

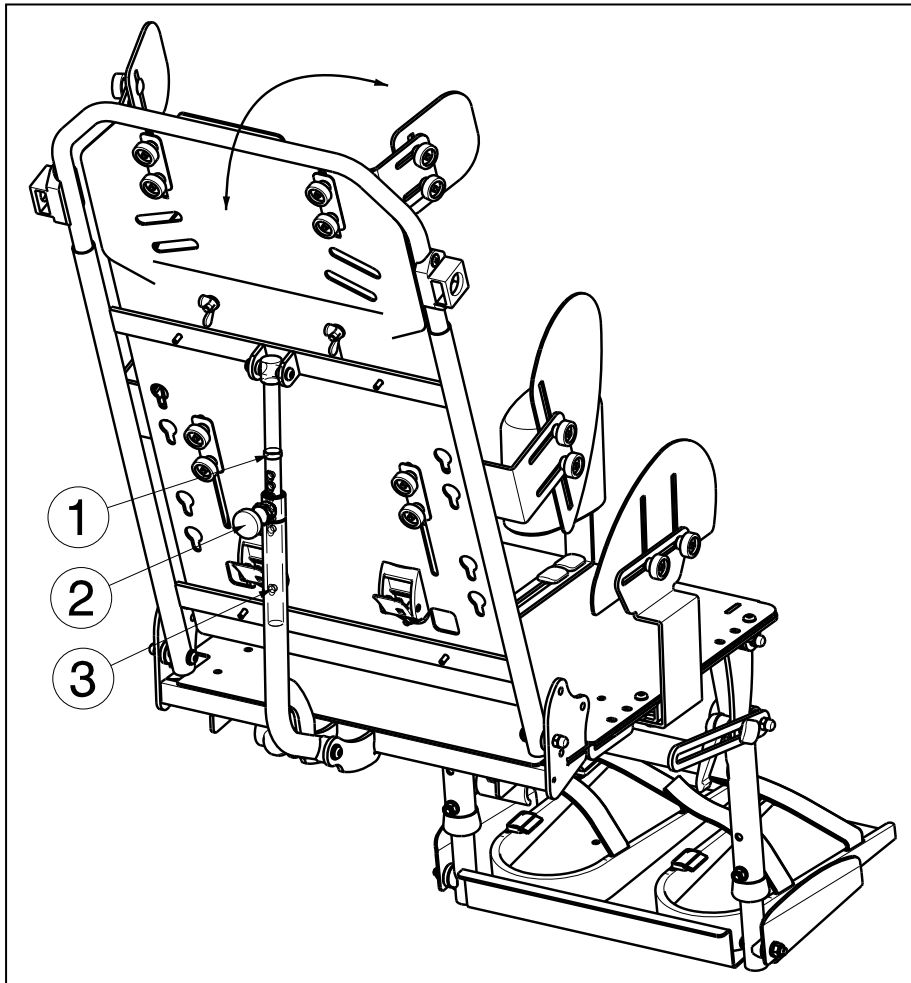
**Bayo 40:**

On the rear of the backrest frame is a rod ① and blocking pin ②.

1. Pull the pin ② to change the angle of the backrest.
2. Pull or push on the backrest until the desired angle (6 different positions in steps of 8°). The maximum angle is when the rod ① hits the blocking pin ②.

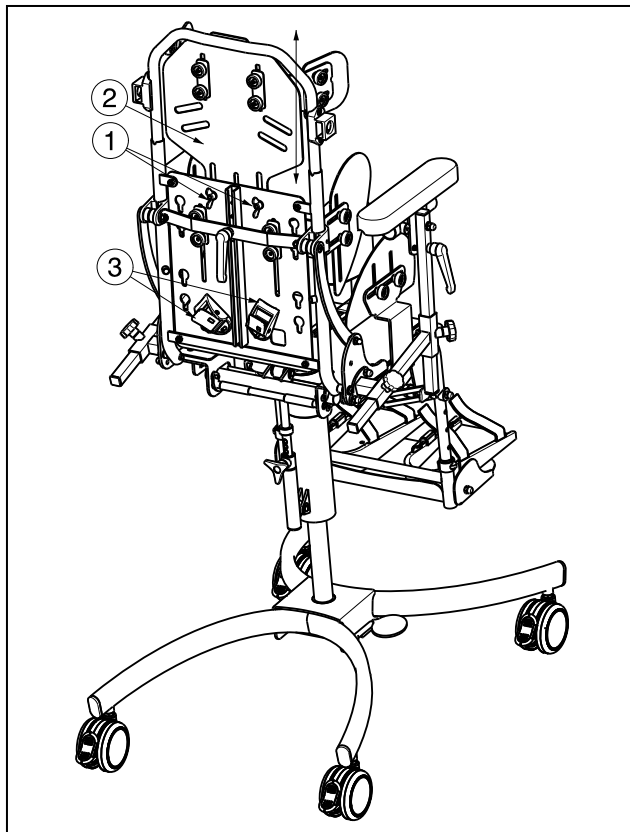
**There is an extra hole (hole 7), that prevents that the backrest will be lift back in the vertical position when the backrest is folded to the seat (for transportation).**

3. Release the pin ②.
4. Check that the backrest is well fixated.



### 3.7.2 Adjusting the height of the backrest

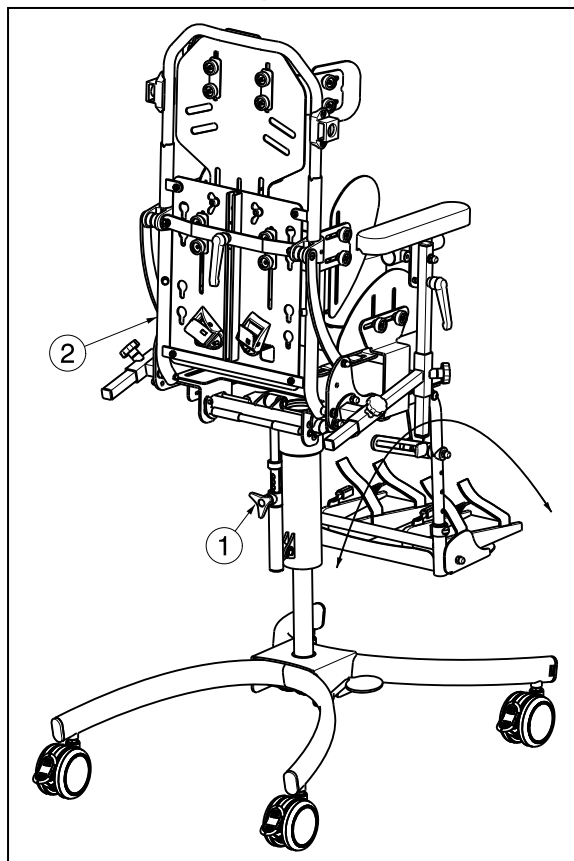
- ⚠ **WARNING:** Risk of injury – Check that all connections and bolts are secured before using the Bayo.
- ⚠ **WARNING:** Risk of tipping over – Do not place more weight on the back (example: a backpack or shopping bag). This will cause overweight at the backrest and may cause the Bayo to tip backwards, which can cause injuries to the user of the Bayo! Adding additional elements to the Bayo is only allowed after careful consideration and in collaboration with one of our retailers.



1. Loosen the two wing nuts ① on the back of the backrest.
2. Move the upper part (headrest) ② of the backrest upwards or downwards until the desired backrest height (520 - 640 mm for Bayo 32, 650 - 780 mm for Bayo 40).
3. Retighten the two screws and wing nuts ① firmly by hand.

On the bottom of the backrest are 2 clamps ③ for the safety belts. This is an additional adjustment depending on the personal needs of each user.

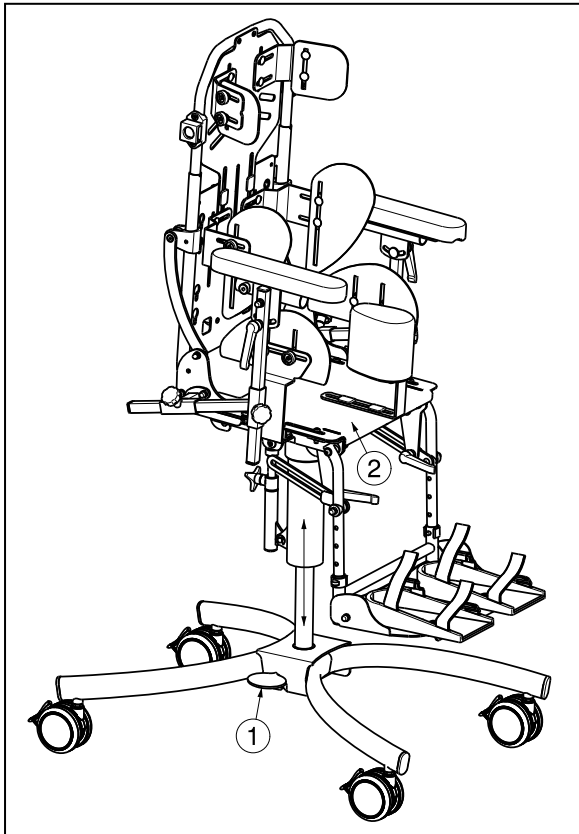
### 3.7.3 Adjusting the inclination of the seat



To adjust the angle of the seat use instructions below:

1. Loosen the starknob ① located on the lower frame.
2. Move the seat frame ② forwards or backwards until the desired inclination (6 positions steps 7,5°).
3. Retighten the starknob ①.
4. Check that the seat frame ② is well fixated.

### 3.7.4 Adjusting the height of the seat



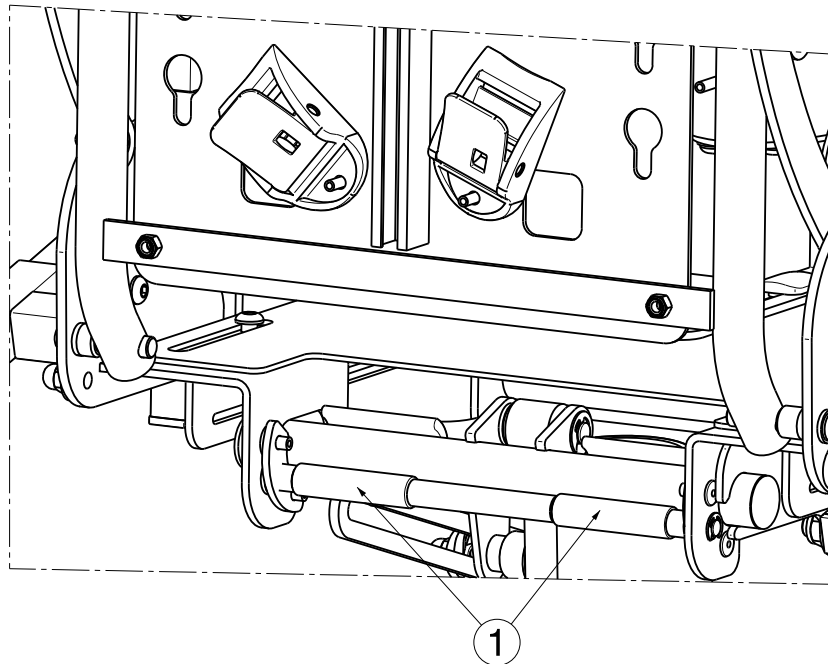
To adjust the height of the seat use instructions below:

1. Grasp the seat frame.
2. Press the lever ① located on the lower frame downwards.
3. At the same time push the seat frame ② downwards to adjust the seat height (range 132 mm: stepless).
4. Loosen the lever ①.
5. Check that the seat frame ② is well fixated.

### 3.8 Mounting the seatframe

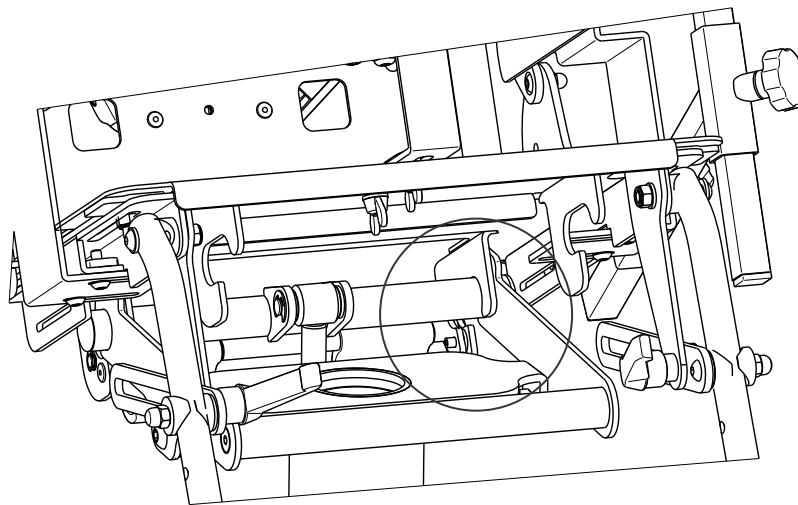
- ⚠ **CAUTION:** Risk of injury - Check if the clamps are mounted correctly on the frame during the placement of the seatframe.
- ⚠ **CAUTION:** Risk of injury - Make sure the locking clamps are locked before you place your child in the Bayo.
- ⚠ **CAUTION:** Risk of clamping - Make sure no fingers, buckles or clothes are squeezed between the seatframe and the lower frame of the Bayo.
- ⚠ **CAUTION:** Risk of injury - Do not use the Bayo without the seatframe.
- ⚠ **CAUTION:** Risk of injury - Check all connections, screws are secured before using the Bayo.

The Bayo stands for comfort when it comes to removing or switching positions of the seatframe.



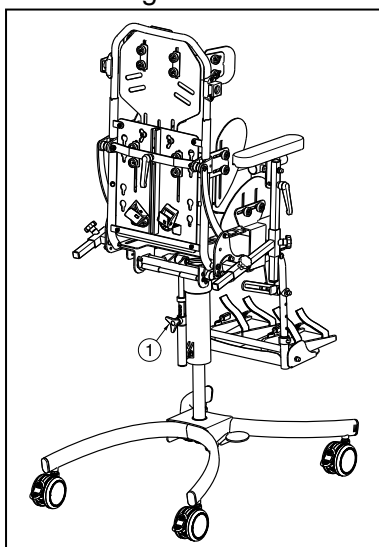
The seatframe will be disassembled as follows:

- Use the brakes to make the Bayo chair unmovable.
- Unlock the two clamps ① in the rear part.
- Slide the seatframe backwards and pull vertically upwards while holding on to the side supports.

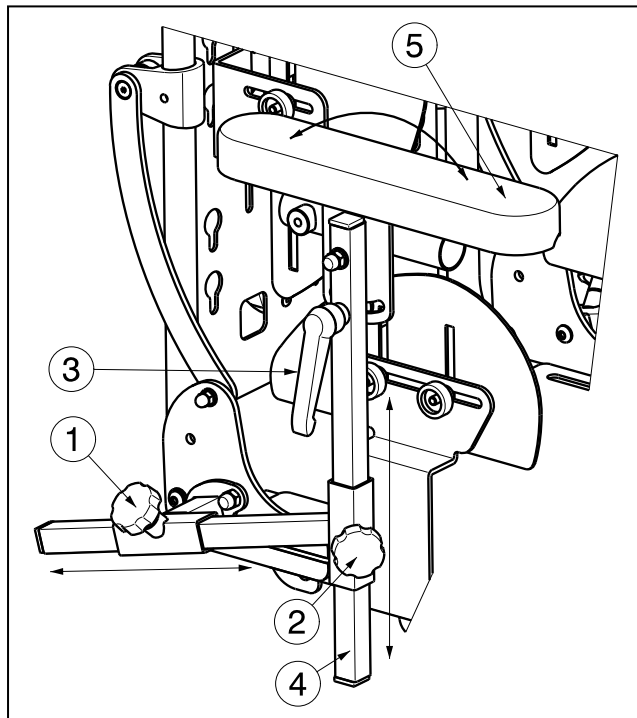


Assembling the seatframe will happen in reverse order as described above.

When assembling the seatframe check the seat inclination lever ① is positioned on the back side (as shown in the figure).



### 3.9 Armrests



To adjust the depth of the armrest use instructions below:

1. Loosen the starknob ①.
2. Move the armrest ④ until the desired position (range 200 mm: stepless).
3. Retighten the starknob ①.
4. Check that the armrest ④ is well fixated.
5. Repeat these instructions for the other armrest.

To adjust the height of the armrest use instructions below:

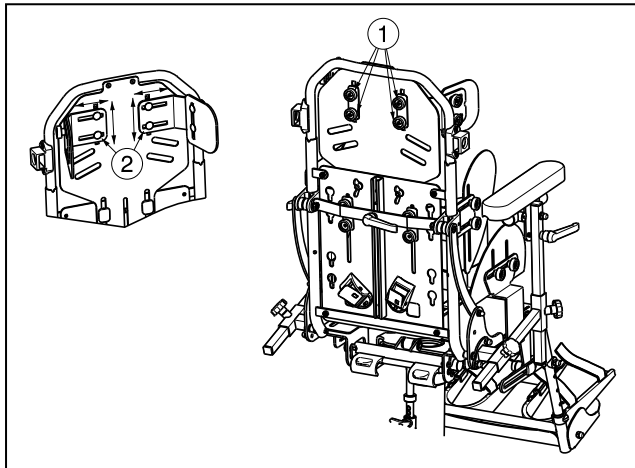
1. Loosen the starknob ②.
2. Move the armrest ④ until the desired position (range 220 mm: stepless).
3. Retighten the starknob ②.
4. Check that the armrest ④ is well fixated.
5. Repeat these instructions for the other armrest.

To adjust the angle of the armpad use instructions below:

1. Loosen the lever ③.
2. Turn the armpad ⑤ until the desired angle (range 56°: stepless).
3. Retighten the lever ③.
4. Check that the armpad ⑤ is well fixated.
5. Repeat these instructions for the other armpad.

## 3.10 Side supports (Pelots)

### 3.10.1 Head pelots

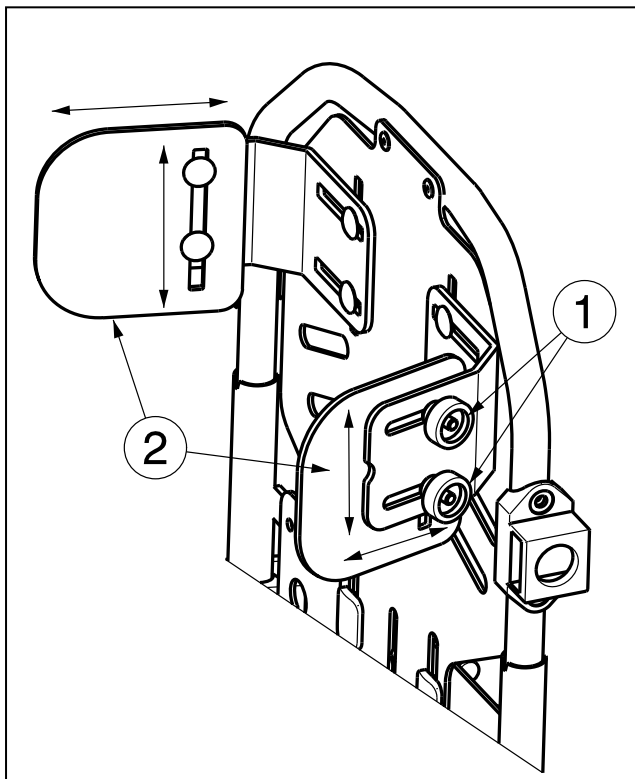


#### Adjusting width:

1. Loosen the two knurled knobs ① on the rear side of the backrest.
2. Move the head pelot ② inwards or outwards until the desired position (range 40 mm each side: stepless).
3. Retighten the two knurled knobs ①.
4. Check that the pelot ② is well fixated.
5. Repeat these instructions for the other pelot.

#### Adjusting height:

1. Loosen the two knurled knobs ① on the rear side of the backrest.
2. Move the head pelot ② up or down until the desired height (range 30 mm: stepless).
3. Retighten the two knurled knobs ①.
4. Check that the pelot ② is well fixated.
5. Repeat these instructions for the other pelot.



#### Adjusting height:

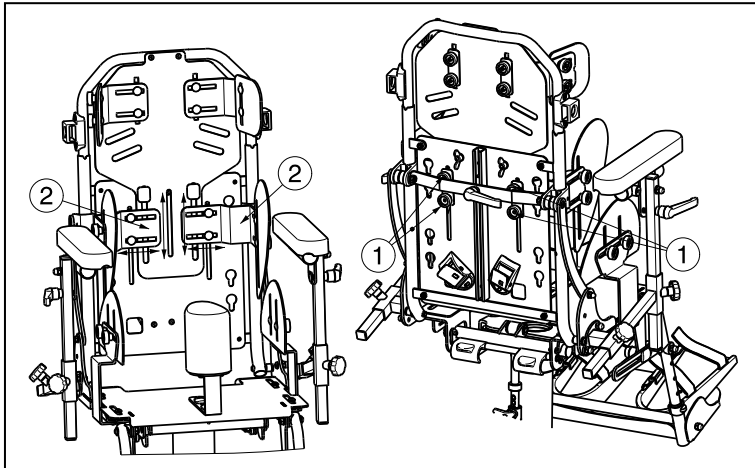
1. Loosen the two knurled knobs ① on the side of the backrest.
2. Move the head pelot ② up or down until the desired height (range 25 mm: stepless).
3. Retighten the two knurled knobs ①.
4. Check that the pelot ② is well fixated.
5. Repeat these instructions for the other pelot.

#### Adjusting depth:

1. Loosen the two knurled knobs ① on the side of the backrest.
2. Move the head pelot ② to the front or back until the desired depth (range 22,5 mm: stepless).
3. Retighten the two knurled knobs ①.
4. Check that the pelot ② is well fixated.
5. Repeat these instructions for the other pelot.



### 3.10.2 Backrest pelots

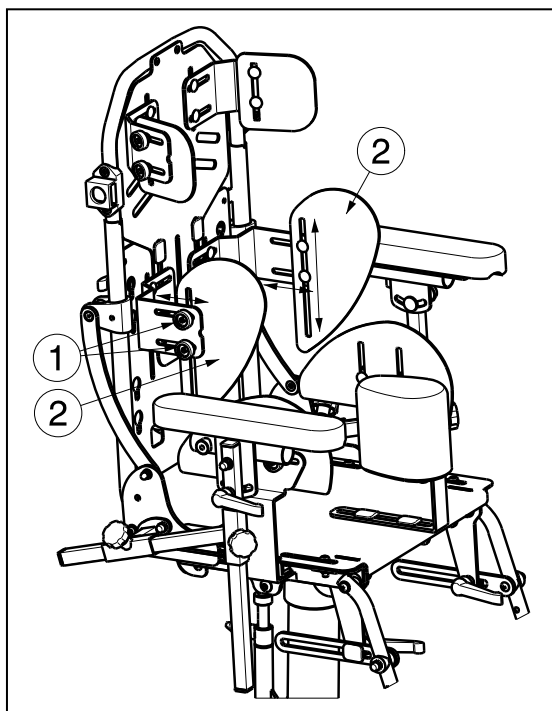


#### Adjusting height:

1. Loosen the two knurled knobs ①.
2. Move the backrest pelot ② up or down until the desired height (range 83 mm: stepless).
3. Retighten the two knurled knobs ①.
4. Check that the pelot ② is well fixated.
5. Repeat these instructions for the other pelot.

#### Adjusting width:

1. Loosen the two knurled knobs ①.
2. Move the backrest pelot ② up or down until the desired height (range 43 mm: stepless).
3. Retighten the two knurled knobs ①.
4. Check that the pelot ② is well fixated.
5. Repeat these instructions for the other pelot.



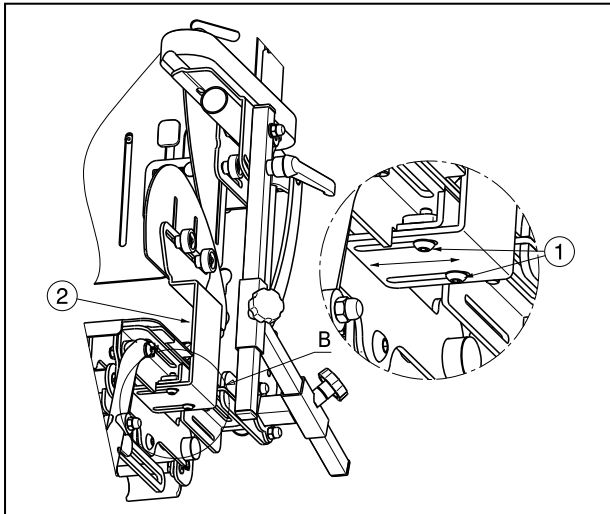
#### Adjusting height:

1. Loosen the two knurled knobs ①.
2. Move the backrest pelot ② up or down until the desired height (range 100 mm: stepless).
3. Retighten the two knurled knobs ①.
4. Check that the pelot ② is well fixated.
5. Repeat these instructions for the other pelot.

#### Adjusting depth:

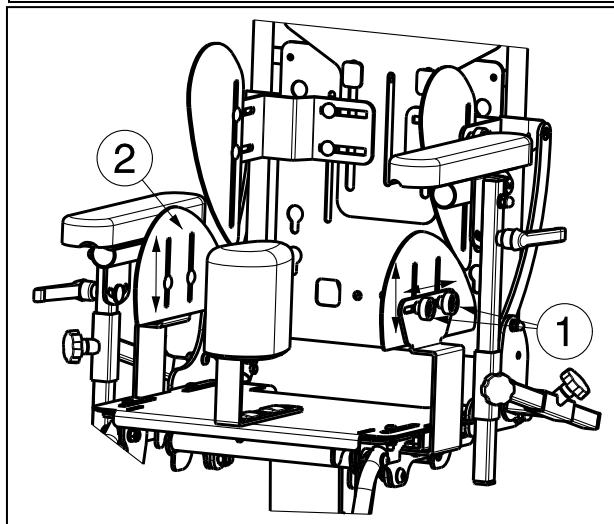
1. Loosen the two knurled knobs ①.
2. Move the backrest pelot ② to the front or back until the desired depth (range 45 mm: stepless).
3. Retighten the two knurled knobs ①.
4. Check that the pelot ② is well fixated.
5. Repeat these instructions for the other pelot.

### 3.10.3 Hip pelots



#### Adjusting width:

1. Loosen the two screws ①.
2. Move the hip pelot ② outwards or inwards until the desired width (range 30 mm: stepless).
3. Retighten the two screws ①.
4. Check that the pelot ② is well fixated.
5. Repeat these instructions for the other pelot.



#### Adjusting height:

1. Loosen the two knurled knobs ①.
2. Move the hip pelot ② up or down until the desired height (range 60 mm: stepless).
3. Retighten the two knurled knobs ①.
4. Check that the pelot ② is well fixated.
5. Repeat these instructions for the other pelot.

#### Adjusting depth:

1. Loosen the two knurled knobs ①.
2. Move the hip pelot ② to the front or back until the desired depth (range 95 mm: stepless).
3. Retighten the two knurled knobs ①.
4. Check that the pelot ② is well fixated.
5. Repeat these instructions for the other pelot.

## 4 Maintenance

Lifetime of the adaptable children chair is influenced by its use, storage, regular maintenance, servicing and cleaning.

### 4.1 Regular Maintenance

The maintenance activities to ensure a good condition for your Vermeiren chair are described below:

- Before every use
  - Check the wheels and make them clean. If necessary change the wheel.
  - Check screw fastenings, levers and adjustment connections are secured.
  - Check the brakes. If the brakes not function properly, consult your specialist dealer.
  - Check the chair (cleanliness, cracks, damage on structural parts ... .) and make it clean. If necessary change the coating.
  - Check the correct position of the safety belts and the function of the locks.

- Every 8 weeks: inspection and possibly lubricating or adjusting from
  - Footrests, armrests
  - Brakes
- Every 6 months or for every new user
  - General review
  - Disinfection

For your convenience, on the back of this manual is a maintenance plan.

Repairing and assembling of spare parts for your chair may only be performed by the specialist dealer.

Only authorized Vermeiren spare parts may be installed.

## **4.2 Shipping and storage**

The shipping and storage of the chair shall be according following instructions:

- Store in a dry place (between +5 °C and +41 °C).
- The relative humidity of the air should be between 30% and 70%.
- Provide sufficient covering or packaging to protect the chair from rust and foreign bodies. (e.g. salt water, sea air, sand, dust).
- Store all removed parts together in one place (or mark them if necessary) to avoid mixing up with other products when re-assembling.
- Components must be stored without being subjected to strains (Do not put too heavy parts on the chair, not clamping between something, ...).

## **4.3 Care**

### **4.3.1 Seat and back cushion**

The cleaning of the seat and back cushion shall be according:

- Clean seat and back with a cloth moistened with warm water. Be aware that you do not soak the seat and back cushion.
- Use a mild commercial detergent for removing stubborn dirt.
- Stains can be removed by using a sponge or a soft brush.
- Do not use strong cleaning liquids like solvents, nor use hard brushes.
- Never clean with steam and/or pressure washers.

### **4.3.2 Plastic parts**

Clean plastic parts of your chair with commercial plastic cleaners. Take note of any special product information. Only use a soft brush or soft sponge.

### **4.3.3 Coating**

The high quality of the surface layer guarantees optimal protection against corrosion. If the outer coat is damaged by scratching or in some other way, get your specialist dealer to repair the affected surface.

When cleaning, only use warm water and normal household detergents and soft brushes and cloths. Ensure that no wetness gets into the tubes.

Initially the zinc parts only require rubbing with a dry cloth. Stubborn dirt can best be removed by using a suitable commercial zinc polish.

## 4.4 Inspection

In principle we recommend one inspection every year, and a minimum of one before usage is resumed. All of the following checks must be performed and documented by authorized persons:

- Check the frame parts and the hinged tubes for plastic deformation, cracks and impaired functioning.
- Visually check for damage to the paintwork (danger of corrosion).
- Check the operation of the wheels (free running, level rolling, etc.).
- Check the solidity and seating of all screws.
- Verify the amount of grease on the metal joints of movable parts.
- Visually check all plastic parts for cracks and brittle spots.
- Check the functioning of the footrests, armrests, backrest and seat (locking, load, deformation, wear caused by loads).
- Check the operation of other detachable parts (example: personal safety belt, pellets etc.).
- Completeness of the delivery condition, instruction manual available?

The service must only be signed off in the maintenance plan if a minimum of all the above-mentioned aspects have been checked.

## 4.5 Disinfection

- ⚠ **WARNING: Dangerous Products - The use of disinfectants is restricted to authorized personnel.**
- ⚠ **WARNING: Dangerous Products, change on irritate your skin - You should wear suitable protective clothing because the disinfectants could irritate your skin. For this purpose you should also take note of the product information of the solutions concerned.**

All parts of the chair can be treated by scrubbing with a disinfectant.

All steps taken to disinfect rehabilitation equipment, their components or other accessory parts are to be recorded in a disinfection report containing a minimum of the following information (with product documentation appended):

Date of the disinfection	Reason	Specification	Substance and concentration	Signature
--------------------------	--------	---------------	-----------------------------	-----------

*Table 2: Example of a disinfection book*

**Abbreviations used in column 2 (reason):**

**V = Suspected infection IF = Infection case W = Repetition I = Inspection**

For a blank sheet of a disinfection book see § 9.

The recommended disinfectants for scrubbing (based on the list provided by the Robert Koch Institute, RKI) are standing in the table below. The current state of the disinfectants included in the RKI list can be obtained from the Robert Koch Institute (RKI) (homepage: [www.rki.de](http://www.rki.de)).

Active substance	Product name	Laundry disinfection		Surface disinfection (scrubbing-wiping disinfection)		Disinfection of excretions 1 part sputum or stools + 2 parts diluted solution or 1 part urine + 1 part diluted solution						Area of effectiveness	Manufacturer or Supplier
		Diluted solution	Time to take effect	Diluted solution	Time to take effect	Sputum		Stools		Urine			
						%	Hr.	%	Hr.	%	Hr.		
Phenol or phenol derivative	Amocid	1	12	5	6	5	4	5	6	5	2	A	Lysoform
	Gevisol	0,5	12	5	4	5	4	5	6	5	2	A	Schülke & Mayr
	Helipur			6	4	6	4	6	6	6	2	A	B. Braun
	m-cresylic soap solution (DAB 6)	1	12	5	4							A	
	Phenol	1	12	3	2							A	
Chlorine, organic or inorganic substances with active chlorine	Chloramin-T DAB 9	1,5	12	2,5	2	5	4					A <sup>1</sup> B	
	Clorina	1,5	12	2,5	2	5	4					A <sup>1</sup> B	Lysoform
	Trichlorol	2	12	3	2	6	4					A <sup>1</sup> B	Lysoform
Per combinations	Apesin AP100 <sup>2</sup>			4	4							AB	Tana PROFESSIONAL
	Dismozon pur <sup>2</sup>			4	1							AB	Bode Chemie
	Perform <sup>2</sup>			3	4							AB	Schülke & Mayr
	Wofesteril <sup>2</sup>			2	4							AB	Kesla Pharma
Formaldehyde and/or other aldehydes or derivatives	Aldasan 2000			4	4							AB	Lysoform
	Antifect FD 10			3	4							AB	Schülke & Mayr
	Antiseptica surface disinfection 7			3	6							AB	Antiseptica
	Apesin AP30			5	4							A	Tana PROFESSIONAL
	Bacillocid special			6	4							AB	Bode Chemie
	Buraton 10F			3	4							AB	Schülke & Mayr
	Desomed A 2000			3	6							AB	Desomed
	Hospital disinfectant cleaner			8	6							AB	Dreiturm
	Desomed Perfekt			7	4							AB*	Desomed
	Formaldehyde-solution (DAB 10), (formaline)	1,5	12	3	4							AB	
	Incidin Perfekt	1	12	3	4							AB	Ecolab
	Incidin Plus			8	6							A	Ecolab
	Kohrsolin	2	12	3	4							AB	Bode Chemie
	Lysoform	4	12	5	6							AB	Lysoform
	Lysoformin	3	12	5	6							AB	Lysoform
	Lysoformin 2000			4	6							AB	Lysoform
	Melsept	2	12	4	6							AB	B. Braun
	Melsitt	4	12	10	4							AB	B. Braun
	Minutil	2	12	6	4							AB	Ecolab
	Multidor			3	6							AB	Ecolab
	Nüscosept			5	4							AB	Dr. Nüsken Chemie
	Optisept			7	4							AB*	Dr. Schumacher
	Pursept-FD			7	4							AB*	Merz
Ultrasol F	3	12	5	4							AB	Fresenius Kabi	
Amphoteric surfactants (amfotensiden)	Tensodur 103	2	12									A	MFH Marienfelde
Lye	Lime-milk <sup>3</sup>							20	6			A <sup>3</sup> B	

1 Not effective against myco-bacteria when service disinfecting, especially in the presence of blood.  
 2 Not suitable for disinfecting blood-contaminated or porous surfaces (e.g. raw wood).  
 3 Useless for tuberculosis; preparation of Lime-milk: 1 part dissolved lime (calcium hydroxide) + 3 parts water.  
 \* Checked for effectiveness on viruses in accordance with checking methods of the RKI (Federal Health Reporting 38 (1995) 242).  
 A: Suitable for killing vegetative bacterial germs including myco-bacteria as well as fungi, including fungal spores.  
 B: Suitable for deactivating viruses.

Table 3: Disinfectants

Kindly consult your specialist dealer if you have queries on matters related to disinfection; he will gladly assist you.

## 5 Guarantee

Excerpt from the "General business conditions":

(...)

For processing defects or material faults discovered after delivery, we accept liability, computed from the calculation date, for the warranty period of the relevant product group.

(...)

- chair 24 months

(...)

The guarantee excludes damage arising from structural changes to our products, insufficient maintenance, defective or improper handling or storage or the use of non-original parts.

Likewise, the guarantee excludes parts or working parts subject to natural wear and tear.

(...)

We reserve the right either to repair a damaged part or to replace it with a new one. The warranty period is not extended in such a case. The guarantee is accepted by the specialist trade.

(...)

## 6 Disposal

When disposing of the chair, contact your local disposal centre or return the product to your specialist dealer who, after submitting it to a hygienic procedure, will be able to send it back to the manufacturer who will dispose of and recycle it correctly, separating it into its component materials.

Packaging materials can be taken to disposal or recycling centers or to your specialist dealer.

## 7 Declaration of conformity

*The manufacturer or his authorized representative :*

N.V. VERMEIREN N.V

**Address :**

Vermeirenplein 1/15

2920 Kalmthout

Belgium

*declares under his sole responsibility that the CE marked medical devices :*

Productgroup: Adaptable children chair

Brand: Vermeiren

Type: Bayo

*have been classified as class I, according to annex IX MDD 93/42/EEC, rule 1,*

*and is manufactured in full conformity with the European instructions below - including the latest modifications - and with the national law, that organizes this directions :*

Medical devices directive MDD 93/42/EEC: 2007

*and is in conformity with the relevant European harmonized standards:*

EN 12182: 2012





## SERVICE

The adaptable children chair was serviced:

Dealer's stamp:

Date:

Dealer's stamp:

Date:

Dealer's stamp:

Date:

Dealer's stamp:

Date:

Dealer's stamp:

Date:

Dealer's stamp:

Date:

Dealer's stamp:

Date:

Dealer's stamp:

Date:

Dealer's stamp:

Date:

Dealer's stamp:

Date:

- For service checklists an additional technical information, please see our specialist dealers nearest to you. More information on our website at: [www.vermeiren.com](http://www.vermeiren.com).





---

## Notes

A series of horizontal dotted lines for writing notes.



---

## Notes

A series of horizontal dotted lines for taking notes.



## Belgium

### N.V. Vermeiren N.V.

Vermeirenplein 1 / 15  
B-2920 Kalmthout  
Tel: +32(0)3 620 20 20  
Fax: +32(0)3 666 48 94  
website: [www.vermeiren.be](http://www.vermeiren.be)  
e-mail: [info@vermeiren.be](mailto:info@vermeiren.be)

## France

### Vermeiren France S.A.

Z. I., 5, Rue d'Ennevelin  
F-59710 Avelin  
Tel: +33(0)3 28 55 07 98  
Fax: +33(0)3 20 90 28 89  
website: [www.vermeiren.fr](http://www.vermeiren.fr)  
e-mail: [info@vermeiren.fr](mailto:info@vermeiren.fr)

## Italy

### Vermeiren Italia

Viale delle Industrie 5  
I-20020 Arese MI  
Tel: +39 02 99 77 07  
Fax: +39 02 93 58 56 17  
website: [www.reatime.it](http://www.reatime.it)  
e-mail: [info@reatime.it](mailto:info@reatime.it)

## Poland

### Vermeiren Polska Sp. z o.o

ul. Łączna 1  
PL-55-100 Trzebnica  
Tel: +48(0)71 387 42 00  
Fax: +48(0)71 387 05 74  
website: [www.vermeiren.pl](http://www.vermeiren.pl)  
e-mail: [info@vermeiren.pl](mailto:info@vermeiren.pl)

## Czech Republic

### Vermeiren ČR S.R.O.

Nadrazni 132  
702 00 Ostrava 1  
Tel: +420 596 133 923  
Fax: +420 596 133 277  
website: [www.vermeiren.cz](http://www.vermeiren.cz)  
e-mail: [info@vermeiren.cz](mailto:info@vermeiren.cz)

## Germany

### Vermeiren Deutschland GmbH

Wahlerstraße 12 a  
D-40472 Düsseldorf  
Tel: +49(0)211 94 27 90  
Fax: +49(0)211 65 36 00  
website: [www.vermeiren.de](http://www.vermeiren.de)  
e-mail: [info@vermeiren.de](mailto:info@vermeiren.de)

## Austria

### L. Vermeiren Ges. mbH

Winetzhammerstraße 10  
A-4030 Linz  
Tel: +43(0)732 37 13 66  
Fax: +43(0)732 37 13 69  
website: [www.vermeiren.at](http://www.vermeiren.at)  
e-mail: [info@vermeiren.at](mailto:info@vermeiren.at)

## Switzerland

### Vermeiren Suisse S.A.

Hühnerhubelstraße 59  
CH-3123 Belp  
Tel: +41(0)31 818 40 95  
Fax: +41(0)31 818 40 98  
website: [www.vermeiren.ch](http://www.vermeiren.ch)  
e-mail: [info@vermeiren.ch](mailto:info@vermeiren.ch)

## Spain / Portugal

### Vermeiren Iberica, S.L.

Carratera de Cartellà, Km 0,5  
Sant Gregori Parc Industrial Edifici A  
17150 Sant Gregori (Girona)  
Tel: +34 972 42 84 33  
Fax: +34 972 40 50 54  
website: [www.vermeiren.es](http://www.vermeiren.es)  
e-mail: [info@vermeiren.es](mailto:info@vermeiren.es)