

# VERMEIREN

## Forest 3+

USER MANUAL





## Contents

<b>Contents</b> .....	<b>1</b>
<b>Preface</b> .....	<b>2</b>
<b>1 Your product</b> .....	<b>3</b>
1.1 Description .....	3
1.2 Accessories.....	3
<b>2 Before use</b> .....	<b>4</b>
2.1 Intended use .....	4
2.2 General safety instructions.....	4
2.3 Explanation of symbols .....	5
<b>3 Using your wheelchair</b> .....	<b>7</b>
3.1 First ride .....	7
3.2 Driving outdoors .....	7
3.3 Operating console .....	9
3.4 Brake and free-wheel lever .....	9
3.5 Moving to/from wheelchair .....	10
3.6 Comfort adjustments .....	10
3.7 Suspension .....	12
3.8 Anti-tipping (B78) .....	13
3.9 Transport.....	5
3.10 Battery status and charging .....	13
<b>4 Maintenance</b> .....	<b>15</b>
4.1 Time of maintenance.....	15
4.2 Instructions for maintenance .....	16
4.3 Troubleshooting .....	16
4.4 Reuse.....	17
4.5 End of use.....	17
<b>5 Technical specifications</b> .....	<b>18</b>

## Preface

Congratulations! You are now owner of a Vermeiren wheelchair!

This wheelchair is made by qualified and committed personnel. It is designed and produced according to high quality standards, guarded by Vermeiren.

Thank you for your trust in the products of Vermeiren. To support you on the use of this wheelchair and its operating options, this manual is offered. Please read it carefully; it will help you to get familiar with the operation, capabilities and limitations of your wheelchair.

If you still have questions after reading this manual, do not hesitate to contact your specialist dealer. He/she will be glad to help you.

### **Important note**

To ensure your safety and to prolong the lifetime of your product, please take good care of it and have it checked and serviced on a regular basis.

This manual reflects the latest product developments. Vermeiren has the right to implement changes to this type of product without any obligation to adapt or replace similar products previously delivered.

Pictures of the product are used to clarify the instructions in this manual. Details of the depicted product may deviate from your product.

### **Information available**

On our website <http://www.vermeiren.com/> you will always find the most recent version of the information in this manual. Please consult this website regularly for possible updates.

Visually impaired people can download the electronic version of this manual and have it read out by means of a text-to-speech software application.



This user manual  
For user and specialist dealer



User manual of applied operating console and battery charger.  
For user and specialist dealer



Installation instructions (Instructions for detail adjustments and (dis)assembly)  
For specialist dealer



Service manual for wheelchairs  
For specialist dealer



EC declaration of conformity

# 1 Your product

## 1.1 Description



## 1.2 Accessories

The following accessories are available for the electric wheelchair Forest 3+:

- Table (B15+B13)
- Headrest (L55, L58)
- Pelots (side supports) for stability (L04) only available with fixed backrest
- Pelvic safety belt (B58)
- Crutch holder (B31)
- Side plates (SE16)
- Hip supports
- Locking system
- Cupholder (SE24)
- Luggage rack (SE28)
- Electric backrest inclination, seat inclination

## 2 Before use

### 2.1 Intended use

In this paragraph a brief description of the intended use of your wheelchair is given. Additionally, relevant warnings are added to the instructions in the other paragraphs. In this way we would like to make you aware of the possible misuse that may appear.

- Indications and contraindications: This wheelchair is meant to be operated by the user sitting in the wheelchair. The wheelchair is designed and produced to be a transport aid for users who suffer from paralysis, loss of limbs or limb deformations/defects, heart insufficiencies, ... You should NOT use this wheelchair if you suffer from physical or mental impairments that may put you, or other people, in danger when driving the wheelchair. For this reason, consult your doctor first and make sure that your specialist dealer is informed about his advice.
- This wheelchair is suitable for indoor and outdoor use.
- This wheelchair is designed and produced solely to transport/transfer one (1) person with a maximum weight of 250kg. It is not designed for transportation of goods or objects, nor for any use other than previously described.
- Only use accessories and spare parts approved by Vermeiren.
- Please read all technical details and limits of your wheelchair in chapter 5.
- The warranty on this product is based on normal use and maintenance as described in this manual. Damage to your product caused by improper use or lack of maintenance will cause the warranty to lapse.

### 2.2 General safety instructions

 CAUTION Risk of injuries and/or damage

Please read and follow the instructions in this manual. Otherwise you may get injured or your wheelchair may get damaged.








Keep the following general warnings in mind during use:

- Do not use your wheelchair if you are under influence of alcohol, medicines or other substances that may influence your driving abilities.
- Be aware that some parts of your wheelchair may get very hot or cold due to ambient temperature, solar radiation, heating devices or due to the motor drive during the ride. Be careful when touching. Wear protective clothing if the weather is cold. After a ride, wait until the wheelchair/motor has cooled down.
- Before switching the wheelchair on, be aware of the environment/situation in which you are located. Adjust your speed to this before driving off. We advise you to use the slowest speed setting to drive indoors. For outdoor driving you can adjust the speed to a suitable speed at which you feel comfortable and safe.
- ALWAYS keep in mind that your wheelchair may stop suddenly due to a discharged battery or a protection that prevents your wheelchair from further damage. Also check the possible causes mentioned in § 4.3. Use your safety belt to prevent injuries.
- Your wheelchair has been tested for electromagnetic compatibility and complies with the standard, see chapter 5. Nevertheless, sources of electromagnetic fields may influence the driving performance of your wheelchair, such as the fields of mobile phones, power generators or high-power energy sources. On the other hand, the electronics of your wheelchair can affect other electronic appliances too, such as alarm systems of shops and automatic doors. We therefore advise you to check your wheelchair regularly for damage and wear, since these may enlarge the interference (see also chapter 4).
- Only drive on flat surfaces where all four wheels touch the ground and where there is sufficient contact to operate the wheelchair safely.

- Alterations or substitutions should not be made to the wheelchair securement points or to structural and frame parts or components without consulting the wheelchair manufacturer.
- Make sure that your hands, clothes, belts, buckles or jewellery don't get caught by wheels or other moving parts during use.

## 2.3 Explanation of symbols

The symbols in following list are applicable to your wheelchair. Symbols can be found in the relevant ISO standard (ISO 7000, ISO 7001 and IEC 417).

	Maximum weight of the user in kg
	Indoor/outdoor use (battery charger excluded)
	Indoor use only (battery charger)
	Maximum safe slope in ° (degrees).
	Maximum speed
	Type designation
	Risk of entrapment

## 2.4 Transport

CAUTION

Risk of damage

Take action to protect the wheelchair from being damaged during transport.

**i** The wheelchair cannot be disassembled without tools and is relatively heavy to carry.

### 2.4.1 Moving out of the way

Use the operating console to drive the wheelchair to its destination. Otherwise, put the wheelchair in free-wheel mode (see § 3.4) and use the push bar to move it.

### 2.4.2 Transport by aircraft

Since the wheelchair is equipped with non-spillable AGM batteries, it is possible to transport the wheelchair (as a whole) by aircraft. Consult your airline for the correct handling procedures before booking your flight. Before handing your wheelchair over to the airport personnel, disconnect the battery from the wheelchair, see the installation manual.

### 2.4.3 Transport in the car



DANGER

Risk of injuries

- The wheelchair is not suited for use as a seat in a motor vehicle.



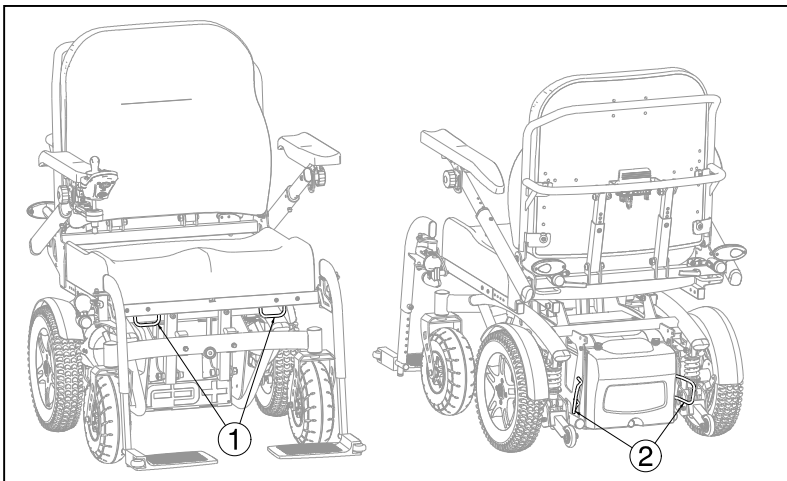


CAUTION

Risk of injuries

- No people or objects should be under the electric wheelchair, during transportation.
- See that the wheelchair is attached properly to avoid injury from the passengers during collision or sudden braking. Make sure that it is only attached to solid parts of the frame.
- NEVER use the same seatbelt to secure the wheelchair and passenger.

Never use your wheelchair as a seat in an automobile or other vehicle. The wheelchair shall be marked with following symbol.



It is not possible to transport the wheelchair in the car. Use a van to transport the wheelchair.

The best way to transport your electric wheelchair in the van is to drive the electric wheelchair in the van by using ramps.

When you are not experienced to drive the electric wheelchair by using ramps, you can also put the wheelchair in neutral mode and push the wheelchair in the van by using ramps.

Attach the wheelchair in the van with the transport hooks (①, ②) just below the seat frame of the wheelchair.



## 3 Using your wheelchair



WARNING

Risk of injuries

- First read previous chapters and inform yourself about the intended use. Do NOT use your wheelchair unless you have read and fully understood all instructions.
- Also read the instructions in the operator console manual and battery charger!
- In case of doubts or questions, do not hesitate to contact your local specialist dealer, your care provider or technical adviser to help you with this.

### 3.1 First ride



CAUTION

Risk of injuries and damage

- Always keep the swing range of footrest and operating console in mind to prevent bystanders from being injured or objects from being damaged.
- Always unplug the battery charger from the wheelchair before starting to drive.

- i**
- Make sure that you are familiar with the operation of your wheelchair before using it in crowded and possibly dangerous places. First exercise at a spacious, open area with little bystanders.
  - Investigate the effects of shifting the centre of gravity on the behaviour of the wheelchair, for example on up or down gradients, on laterally sloping ground, or when overcoming obstacles. Obtain support from an attendant.
  - The surface of the controller gets slightly warm during use.
  - While driving backwards, the speed is reduced.

1. Make sure that:
  - the wheelchair is on a flat surface;
  - the battery is fully loaded, see § 3.9;
  - The motor is coupled, see § 3.4;
  - the tyres have the correct tyre pressure, see § 4.2;
  - the wheelchair is adapted to your needs and comfort, see § 3.6;
  - you have the proper sitting position, see § 3.5.
2. Follow the instructions in the operating console manual.
3. Switch on your wheelchair.
4. Turn the speed control to the lowest speed setting.
5. Exercise how to drive and make adjustments to the wheelchair.
6. If you feel confident enough, you can try to drive at higher speed.
7. Now try to turn, in forward and backward direction. Repeat this a few times.
8. Make sure that your wheelchair stands stable when ending the ride.
9. Switch off your wheelchair.

### 3.2 Driving outdoors



WARNING

Risk of accident - Adjust your driving behaviour and speed.

- Take the local road traffic law into consideration; it may differ per country. This counts for driving on pavements, unpaved roads or paved roadways.
- Do not drive on roads with heavy traffic.
- Take the weather conditions into consideration. Avoid driving by moist weather, extreme heat, snow, black ice, freezing temperatures; see technical specifications in chapter 5.
- Even with your wheelchair lights on, it is not suitable to drive on public roads at poor visibility (darkness, mist, twilight). Make sure that you are well visible, also during daylight hours, by using fluorescent clothing and/or by using own lighting at the front and rear side of the wheelchair.

- Be aware of other road users to whom your wheelchair may be an obstacle. Pay special attention during turning and reversing. If you are not acquainted with how to drive backwards, first practice in an open area. Indicate the direction you are intending to go before turning.
- Try to drive straight in small passages to prevent getting trapped.
- Keep the braking distance in mind. Be aware that the braking distance depends on speed, surface, weather conditions, slope and weight of the user.

### 3.2.1 Cope with slopes, kerbs, obstacles or ramps

 CAUTION Risk of injuries by unexpected movement

- Use a restraining safety belt to secure yourself sitting in the wheelchair.
  - Pay attention if the road is sandy, has soft ground, holes or gaps that may cause entrapment of the wheels and/or decreasing of the traction of the driving wheel.
  - Do NOT drive on slopes, obstacles, steps or kerbs larger than the size described in the technical specifications in chapter 5.
  - Always approach a kerb from the front.
  - Do not put your wheelchair in free-wheel mode on a slope. The wheelchair may start moving, causing injuries to you or bystanders.
  - Do not use your wheelchair on an escalator or stairs.
  - Only use ramps approved by Vermeiren and do not exceed their maximum load.
- i** When you stop on a slope, the brake will work automatically to prevent the wheelchair from running forward or backward.

CAUTION Risk of damage

- Always park your electric wheelchair on horizontal flat surfaces and on sites that are easily accessible.
- If necessary, take a short run-up to speed up the wheelchair to mount a slope, obstacle, kerb or ramp. Prevent that you or your wheelchair has to cope with a large recoil.
- Make sure that the wheelchair does not touch the ground or ramp due to the inclination of the wheelchair.
- Be aware that the braking distance on downhill slopes can be significantly larger than on level ground.

#### *Procedure*

- Start your drive according to the instructions in § 3.1, step 1.
- To move the wheelchair up or down stairs/steps, use lifting equipment or a ramp. If these are not available, it can be lifted manually by at least two persons, grasping the frame firmly with both hands. Do not use the backrest, footplate(s), armrests, or wheels to grasp the wheelchair.
- To cope with obstacles or inclinations:
  1. Adjust the wheelchair to its most stable position, see § 3.5.
  2. Drive as slow as possible to cope with the obstacle or inclination.

### 3.3 Operating console

 CAUTION Risk of injuries or damage

- Be aware that the stability decreases when the wheelchair is adjusted from sitting-strait to inclined position.
  - Make sure there is enough space around the wheelchair to operate backrest and seat.
- i** How to use the operating console is described in a specific user manual, enclosed with the delivery of your wheelchair. If this manual is missing, contact your specialist dealer immediately.
- Put the joystick in the neutral (central) position before pressing the on/off button, otherwise the electronics will be blocked. To release this block, switch the operating console off and on again.


#### Technical protections

The operating console enables you to control all driving components and motors to adjust your body position. For your own safety, and to prevent that the wheelchair gets damaged, movements are monitored by the electronics. This may result in block of movement, speed decrease or complete stop. Consult the user manual of the operating console for more information.

To avoid accidental battery run down, your wheelchair is equipped with an automatic power shutdown system. This system switches off the operating console automatically when it is not operated for a while. If this occurs, simply switch your console back on.


### 3.4 Brake and free-wheel lever


 CAUTION Risk of injuries or damage

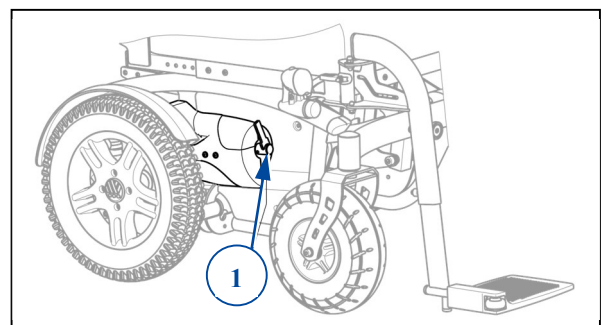
- Only operate the free-wheel lever when your wheelchair is turned OFF. An attendant should operate the free-wheel lever. NEVER operate it from sitting position.
  - Do not use the free-wheel mode on slopes and inclinations, see symbol on motor: 
- i** Make sure that the free-wheel lever is in its braking position BEFORE switching the wheelchair ON. Electromagnetic brakes do NOT function if the wheelchair is in free-wheel mode. This is indicated on the operating console. Driving is not possible.

The wheelchair is fitted with a freewheel device that is accessible and operable by the occupant and attendant. This device shall be used as a parking brake.

Put the chair in neutral with the adjusting levers ① on both motors.

 **DRIVING**  
Push the adjusting levers ① of both motors in the position of the symbol for driving. Switch the operator control out and in. Electronically controlled driving is now possible.

 **NEUTRAL**  
Pull the adjusting levers ① of both motors in the position of the symbol for neutral and you will activate the wheelchair's free-running mode. The wheelchair can now be pushed without electronic drive.



### 3.5 Moving to/from wheelchair



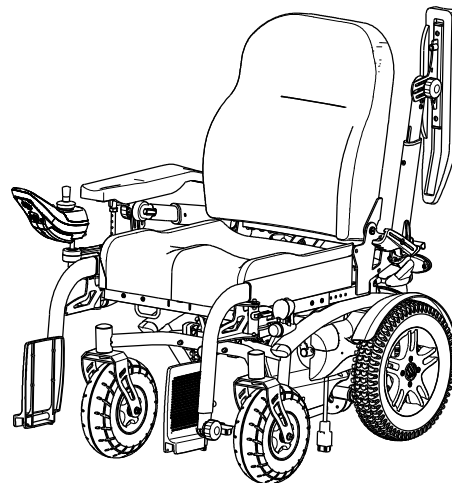
CAUTION

Risk of injuries or damage

- In case you cannot perform the transfer in a safe manner, ask someone to assist you.
- Do not stand on the footplate(s) during transfer into or out of the wheelchair.

#### *Transfer*

1. Position the wheelchair as close as possible to you when sitting in your chair, couch, seat or bed.
2. Apply the brakes by turning the free-wheel lever to braking position, see § 3.4.
3. Use the operating console to move the backrest and seat to sitting position, see user manual of the console.
4. Fold the footplate(s) upwards to prevent standing on them.
5. If necessary, turn one armrest back/up to make room, see § 3.6.1.
6. Transfer to/from the wheelchair using the strength of your arms or with the help of attendant(s) or lifting equipment.



#### *Sitting in the wheelchair*

1. Sit down on the seat with your lower back against the backrest.
2. Turn the footplate(s) down and put your feet on the footplates.
3. Turn armrests down, if applicable.
4. Make sure that your upper legs are horizontal and that your feet are in a comfortable position. Adjust if necessary, see the installation manual.
5. Make sure that your arms are bent and are resting comfortably on the arm pads. Adjust if necessary, see § 3.6.1 and § 3.6.2.

#### *Adjusting to stable position*

For transport purposes and when you need to negotiate obstacles, the wheelchair must be adjusted to maximise its stability:

- Seat in horizontal position
- Backrest upright
- Footplate folded up or adjusted to a higher position to prevent touching the obstacle.
- Operating console turned inwards.

### 3.6 Comfort adjustments



CAUTION

Risk of injuries or damage

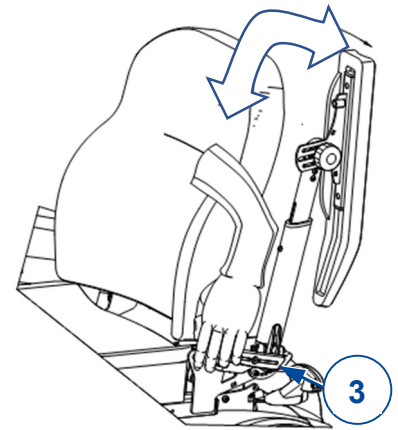
- The following comfort adjustments can be done by the attendant or caretaker. All other adjustments are done by your specialist dealer according to the installation instructions, see preface.
- Always keep the swing range of footrest and operating console in mind to prevent bystanders from getting injured or objects from being damaged.
- Make sure that your fingers, clothes, buckles don't get trapped during adjustment.

### 3.6.1 Armrests

#### Position

The armrests can be turned backwards (up) to make it easier to transfer to/from the seat.

1. Push lever (3) of the toothed clamp (4) slowly down. The armrest is unlocked (in bottom position).
2. Turn the armrest up/backwards to its end position.
3. Pull lever (3) up to close the toothed clamp. The armrest is locked in end position.



#### Angle

The same procedure is used to change the angle of the armrest:

1. Repeat previous step 1.
2. Next, hold the armrest in the desired position, while locking it with the lever (3).
3. Repeat this for the second armrest.
4. Make sure that both armrests have the same angle.
5. Make sure that both armrests are firmly secured.



### 3.6.2 Arm pads

The arm pads (5) can be adjusted in height (stepless) and angle (7,5° step):

1. Turn the star knob (6) a few turns anticlockwise. To adjust the angle, turn it four turns minimally.
2. Pull/push the arm pad lightly to adjust the height.
3. Hold the arm pad at the desired angle.
4. Turn the star knob clockwise until it is finger-tight.
5. Repeat this for the second arm pad.
6. Make sure that both arm pads are firmly secured.



### 3.6.3 Mounting or removing the footrests

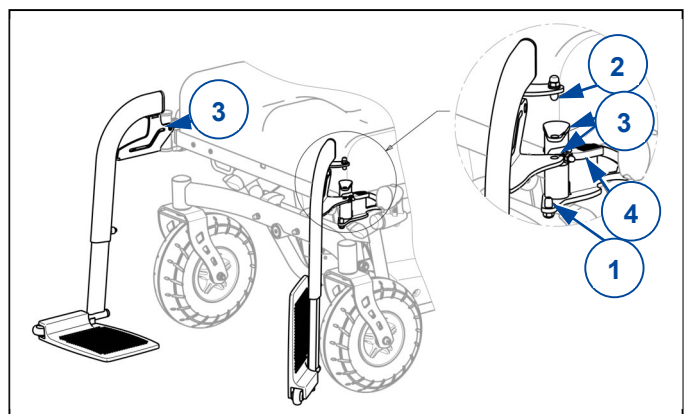
The wheelchair has two footrests that can be folded away to the side with a 3 point attachment system (1, 2, 3 on the figure below). This system provides a steady, play-free connection of the footrest to the seat frame.

Mounting the footrests is done as follows:

1. Hold the footrest sideways at the outside of the wheelchairs frame and mount the pins (1) into the holes (2).
2. Turn the footrest inwards till the pin click in the hole of the attachment point (3).
3. Turn the foot plates downwards.

To take off the footrests:

1. Fold the foot plates upwards.
2. Pull or push on lever (4).
3. Turn the footrest to the outside of the wheelchair until the hole come loose of the pin from attachment point (3).
4. Pull the footrest upwards until the pins (1) comes out of the holes (2).





### 3.6.4 Operator console

The operator console has a swivel system and can be turned horizontally to the left/right.

- Grab the control support (26) below the operator console and move it left/right to the desired position.



### 3.6.5 Leg rests BZ7-BZ8

7. Loosen the lever (13) at the rotation point. Adjust the angle of the leg rest by lifting/lowering the footplates (between 100° - 190°). Retighten the lever (13) firmly by hand. Repeat this for the second leg rest. Make sure that both leg rests are firmly secured.



### 3.6.6 Headrest L58 (if applicable)

*To mount:*

1. Loosen the star knob (35).
2. Mount the square tube of the headrest (36) into the provided bracket (37).
3. Retighten the star knob (35) firmly by hand.

To remove, repeat the steps above in reverse order.

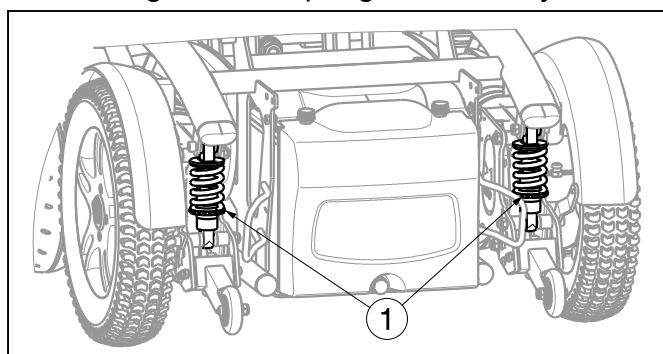
*To adjust the height/depth*

1. Loosen the levers (38).
2. Put the headrest into the desired position.
3. Retighten the levers (38) properly by hand.



## 3.7 Suspension

The strength of the springs can be adjusted to enhance your comfort. These springs are located on the back of the electrical wheelchair, behind the battery cover.



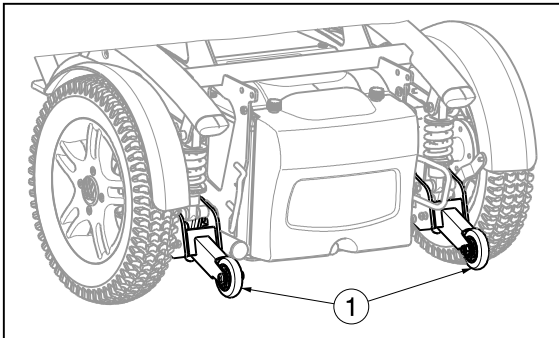
If you turn the adjuster ① to the left, the range of the springs lengthens and the suspension becomes softer.

If you turn the adjuster ① to the right, the range of the springs shortens and the suspension becomes firmer.

### 3.8 Anti-tipping (B78)


 CAUTION Risk of injuries

- Check that the anti-tipping is working before driving with the electric wheelchair.



For your safety, your electric wheelchair is equipped with an anti-tipping ① that works with a suspension system. When crossing small obstacles (no higher than 70 mm) it tips back a little, yet overtipping is prevented by a stopping mechanism. Do not remove the anti-tipping device as your wheelchair will no longer be secured against accidentally tipping over.

### 3.9 Battery status and charging

 WARNING Risk of injuries and damage due to fire

- Only use the battery charger delivered with the wheelchair. The use of any other charger may be dangerous (fire hazard).
- The battery charger is only intended to charge the batteries delivered with the wheelchair, not to charge any other batteries.
- Do not adapt any of the delivered parts, like cables, plugs or battery charger. Never open or change the battery or the connection points.
- Protect the battery and battery charger against flames, high and low temperatures (see chapter 5), moisture, sunshine, severe shocks (for example dropping). Do NOT use the battery if this has been the case.
- Charge the battery with the battery charger, indoors, in a well-ventilated area, out of children's reach.
- First read the user instruction of the applied battery charger before charging the wheelchair's battery. For more information, contact your specialist dealer or consult our website <http://www.vermeiren.com/>

CAUTION Risk of damage

- Battery self-discharge and the quiescent current of the connected users will drain the battery charge slowly. The battery may be irreversibly damaged if the battery is fully discharged. Therefore, make sure that the battery is charged on time (see manual of operating console).
- Read the storage and maintenance instructions in § 4 and technical details in chapter 5.
- Only disconnect the battery charger when the battery is fully charged.
- Do not charge batteries below 0°C. Move the battery to a warmer place and start charging.
- Keep the connection point for the battery charger free of dust and other contamination.
- In case of any problems whereby the battery cannot be charged according to following instructions, please contact your specialist dealer.
- For instructions on how to change the batteries, see the installation manual.

For all information on battery status indication, please read the manual of the operating console.

- i** It is recommended to unplug the battery charger from the mains when not in use. This is to prevent unnecessary energy consumption.



*To charge the battery:*

1. FIRST connect the battery charger to a 230V AC power socket. Use the battery charger directly, without extension cord, on the power supply (without time switch).
2. Plug the adapter in the charging point of the operating console.
3. Wait until the battery is fully charged. Consult the battery charger manual for more information.
4. Disconnect the battery charger.
5. Remove the battery charger from the socket, let it cool down and store it in the charger pocket.

## 4 Maintenance

- i** Regular care ensures that your wheelchair is preserved in a perfectly functional condition. For the maintenance manual, refer to the Vermeiren website: [www.vermeiren.com](http://www.vermeiren.com).

### 4.1 Time of maintenance

 CAUTION Risk of injuries and damage

Repairs and replacements may only be undertaken by trained persons and only genuine replacement parts of Vermeiren should be used.

- i** The last page of this manual contains a registration form for the specialist dealer to record each service.

The service frequency depends on the frequency and intensity of use. Contact your dealer to agree to a common timetable for inspection/maintenance/repair.

Read the user instructions of the applied battery charger regarding maintenance.

#### *Before each use*

Inspect the following points:

- All parts: present, undamaged and unworn.
- All parts: clean, see § 4.2.2.
- Wheels, seat, calf rests, arm rests, footplate and headrest (if applied): well secured.
- Battery status: charge the battery when necessary, see §3.9.
- Operating console, battery, power module, motors, battery charger, lights and relevant cables: no damage such as wires that have become frayed, broken or exposed.
- Condition of wheels/tyres, see § 4.2.1.
- Condition of frame parts: no deformation, instability, weakness or loose connections.
- Seat, backrest, arm pads, calf pads and head rest (if applied): no excessive wear (like dented spots, damage or tears).

Contact your specialist dealer for possible repairs or part replacements.

#### *Every month*

If your wheelchair is stored for a longer period, you still need to charge the batteries every month. It is also possible to keep the battery charger connected to the battery and the mains during this period. For more information, see § 3.9.

#### *Yearly or more often*

Have your wheelchair inspected and serviced by your specialist dealer, at least once a year, or more often. The minimum maintenance frequency depends on use and should therefore be commonly agreed upon with your specialist dealer.

#### *If stored*

Make sure that your wheelchair is stored in a dry environment to prevent mould from growing, or the upholstery from being damaged.

## 4.2 Instructions for maintenance

### 4.2.1 Wheels and tyres

**i** Proper working of the brakes depends on the state of the tyres, that can change due to wear and contamination (water, oil, mud, ...).

- Keep your wheels free of wires, hair, sand and fibres.
- Check the profile of the tyres. If the tread depth is less than 1 mm, the tyres need to be replaced. Contact your specialist dealer for this matter.
- Inflate the pneumatic tyres to the correct pressure (see pressure indication on the tyres).
- For instructions on how to change the tyres, see the installation manual.

### 4.2.2 Cleaning

CAUTION

Risk of damage by moisture

- Keep the operating console clean and protect it from water and rain.
- Never use a hose or high-pressure cleaner to clean the wheelchair.

Wipe all rigid parts of the wheelchair with a damp cloth (not drenched). If necessary, use a mild soap, suitable for varnishes and synthetics.

The upholstery can be cleaned with lukewarm water and a mild soap. Do not use abrasive cleaning agents to clean.

Keep the ventilation openings of the battery charger clean and free of accumulated dust. Blow away the dust and clean the battery charger enclosure with a slightly moistened cloth, if required.

### 4.2.3 Disinfection

CAUTION

Risk of damage

Disinfections may only be undertaken by trained persons. Consult your specialist dealer.

## 4.3 Troubleshooting

Even if you use your wheelchair properly, a technical problem may occur despite this. In this case, contact your local specialist dealer.



WARNING

Risk of injuries and damage to the wheelchair

- NEVER attempt to repair your wheelchair yourself.
- For failures in the operating console you need to contact your specialist dealer. He/She will decide if the console needs to be reprogrammed.

In case of failure, a fault code is displayed on the operating console.

**i** For an overview of all fault codes on the operating console, please read the manual of the operating console.

The following symptoms may indicate a serious problem. Therefore, always contact your specialist dealer if you spot any of the following deviations:

- Strange sound;
- Frayed/damaged wiring harnesses;
- Cracked or broken connectors;
- Uneven tread wear at one of the tyres;
- Jerky movements;

- Wheelchair deflects to one side;
- Damaged or broken wheel assemblies;
- Wheelchair does not switch on (blown fuse);
- Wheelchair is powered but does not move, see 4.3.1.

#### **4.3.1 Overload protection**

To protect the motor against overload, the motor is automatically cut off in the following situations:

- driving up or down slopes that exceed the maximum gradient indicated in chapter 5.
- the nominal load exceeds its upper limit.

To use the wheelchair again: place joystick in neutral, remove the overload and wait until the motor has cooled down.

#### **4.4 Reuse**

Before each reuse, have the wheelchair disinfected, inspected and serviced according to the instructions in § 4.1 and § 4.2.

#### **4.5 End of use**

At end of life, you need to dispose of your wheelchair according to the local environmental legislation. The best way to do so, is to disassemble the wheelchair to facilitate the transport of recyclable parts.

## 5 Technical specifications

The technical details below are only valid for this wheelchair, at standard settings and optimal ambient conditions. Take these details into account during use. The values are no longer applicable if your wheelchair has been modified, damaged, or is severely worn. Be aware that the driving performance is influenced by ambient temperature, humidity, slopes (driving up/down), type of surface and battery status.

Table 1: Technical specifications

<b>Brand</b>	<b>Vermeiren</b>				
<b>Type</b>	<b>Electric wheelchair, Class B</b>				
<b>Model</b>	<b>Forest 3+</b>				
<b>Maximum occupant mass</b>	<b>250 kg</b>				
<b>Description</b>	<b>Dimensions Minimum</b>			<b>Dimensions Maximum</b>	
Effective seat width	500 mm	550mm	600 mm	650 mm	700 mm
Overall width	705 mm	720 mm	760 mm	820 mm	870 mm
Max. speed	6 km/h			10 km/h	
Continuous driving distance range*	Approx. 49 km			Approx. 49 km	
Overall length	1145 mm - 1163 mm (seat angle 2°)				
Overall height	1100 mm (seat angle 2°)				
Folded / dismantled length (footrests removed)	847 mm (seat angle 2°)				
Folded / dismantled width	Not applicable				
Folded / dismantled height	Not applicable				
Total mass	134,35 kg				
Mass of heaviest part (that can be dismantled or removed)	Frame: 130,65 kg				
Masses of parts that can be dismantled or removed	Footrests: 1,85 kg / piece				
Maximum safe slope	9°				
Obstacle climbing	100 mm				
Ground clearance	52 mm (anti-tipping wheel)				
Seat plane angle (manual and electrical)	2°			32°	
Effective seat depth	450 mm			550 mm	
Thickness seat cushion	70 mm				
Seat surface height at front edge	450 mm				
Backrest angle (manual and electrical)	2° (Seat angle 2°)			32° (Seat angle 2°)	
Backrest height	590 mm				
Distance between foot plate and seat	250 mm			399 mm	
Angle foot plate and leg footrest	96°				
Angle between seat and leg footrest	95°				
Distance between arm pad and seat	335 mm			380 mm	
Front location of armrest structure	434 mm			522 mm	
Armrest Angle	11° up to 26° 101° (folded away)				
Driving motors	2 x 350W + electromagnetic braking system				

<b>Brand</b>	<b>Vermeiren</b>	
<b>Type</b>	<b>Electric wheelchair, Class B</b>	
<b>Model</b>	<b>Forest 3+</b>	
<b>Maximum occupant mass</b>	<b>250 kg</b>	
Batteries (non-spillable, maintenance-free)	2 x 12V = AGM / 80 Ah / 20 hr	
Battery charger	Refer to battery charger manual (8A); IP21; Insulation class II	
Blow fuse	150 AMP	
Degree of protection	IPX4	
Minimum turning diameter	Approx. 1840 mm	
Reversing width	1400 mm	
Diameter Rear wheels (number)	Racing: 350 x 70 mm air (2)	
Tyre pressure, rear wheels **	Max. 3,5 bar	
Diameter front wheels (number)	260 x 85 mm air (2)	
Tyre pressure, front wheels **	Max. 3,5 bar	
Noise level	< 65 dB (A)	
Storage and use temperature	+5 °C to +41 °C	
Operating temperature of the electronics	-10°C to +40°C	
Storage and use humidity	30%	70%
<p><b>We reserve the right to introduce technical changes. Measurement tolerance <math>\pm 15</math> mm / 1,5 kg / 1,5°.</b></p> <p><b>* The theoretical driving distance will be reduced if the wheelchair is used frequently on slopes, rough ground or to climb curbs.</b></p> <p><b>**Since different tyres may be used, please note the correct operating pressure of the tyres you use.</b></p>		







## Service registration form

This product (name): .....

was inspected (I), serviced (S), repaired (R) or disinfected (D):

By (stamp):  Kind of work: I / S / R / D Date:	By (stamp):  Kind of work: I / S / R / D Date:	By (stamp):  Kind of work: I / S / R / D Date:
By (stamp):  Kind of work: I / S / R / D Date:	By (stamp):  Kind of work: I / S / R / D Date:	By (stamp):  Kind of work: I / S / R / D Date:
By (stamp):  Kind of work: I / S / R / D Date:	By (stamp):  Kind of work: I / S / R / D Date:	By (stamp):  Kind of work: I / S / R / D Date:
By (stamp):  Kind of work: I / S / R / D Date:	By (stamp):  Kind of work: I / S / R / D Date:	By (stamp):  Kind of work: I / S / R / D Date:
By (stamp):  Kind of work: I / S / R / D Date:	By (stamp):  Kind of work: I / S / R / D Date:	By (stamp):  Kind of work: I / S / R / D Date:



Vermeiren GROUP  
Vermeirenplein 1 / 15  
2920 Kalmthout  
BE

website: [www.vermeiren.com](http://www.vermeiren.com)

### **Instructions for specialist dealer**

This instruction manual is part and parcel of the product and must accompany every product sold.

Version: C, 2021-04

Basic UDI: 5415174 122127Forest 3+ G5

### **All rights reserved, including translation.**

No part of this manual may be reproduced in any form what so ever (print, photocopy, microfilm or any other process) without written permission of the publisher, or processed, duplicated or distributed by using electronic systems.

© Vermeiren Group 2021